

PRICE LIST 2017

1. PROFESSIONAL KITCHEN WORKTABLES
2. OTHER TABLES AND STANDS
3. DISHWASHING EQUIPMENT
4. SHELVES AND CUPBOARDS
5. TROLLEYS
6. EXHAUST HOODS
7. BAR EQUIPMENT
8. SERVING LINE EQUIPMENT
- 9. COOLING COUNTERS AND HEATED EQUIPMENT**
10. MODULAR TABLES

YOUR RELIABLE PARTNER

Novameta is the largest and most advanced manufacturer of stainless steel commercial kitchen equipment in Baltic and Scandinavian countries. Extensive 16-year experience, attention to details along with an innovative mindset are the key factors which have enabled **Novameta** to establish trust in 18 markets throughout Europe.

A wide range of hot, cold and neutral standard equipment, precisely engineered and crafted non-standard products combined with a short, typically 2-4 week lead time is what makes us stand out of the crowd. What is more, our experienced team is all set to provide professional support and technical advice, enabling our clients to turn their ideas to tailor made turnkey solutions.


All of our products are marketed through a professional network of distributors throughout Europe. We are proud to provide an all-round assistance to our dealers, helping them to excel in the things they do best - planning, taking care of supply, installation and service to fulfil the needs of catering, bakery and retail industries.

Our main objectives are to maintain solid positions in Europe through sustaining partnership relationships with our clients, whilst at the same time expanding into new markets worldwide. Experienced and ambitious sales team, application of up-to-date 3D CAD software in our in-house design department, employment of latest production technologies and LEAN quality management based on ISO 9001:2000 standard, have determined the rapid expansion of our sales markets and therefore the consequent quick growth of the company.






Currently, over 165 employees work in the enterprise and the production area covers 5000 m². **Novameta** manufactures over 180 different items every day, more than 1000 projects yearly!



Novameta

 Draugystės g. 15D, LT-51227 Kaunas, Lithuania
 +370 37 30 23 30
 novameta@novameta.lt
 www.novameta.lt

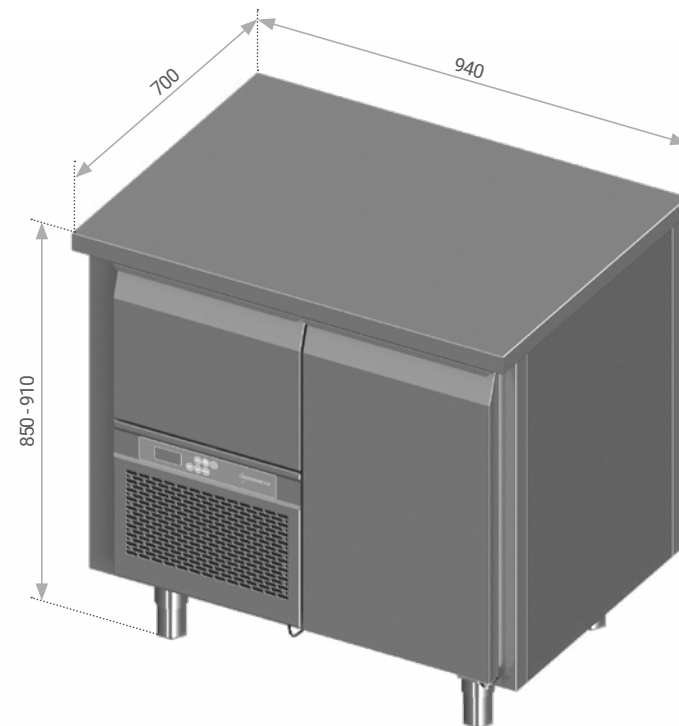
Novameta UK

 1210 Parkview, Arlington Business Park, Theale, Reading, Berkshire RG7 4TY, UK
 +44 118 965 4098
 +44 791 874 0027
 sales@novameta.co.uk
 www.novameta.co.uk

© 2017 Novameta. All rights reserved.

Novameta respects the intellectual property rights of others and expects its clients and the users of its services to do the same. All information in this publication is property of Novameta and you do not have right to disclose it to any third party without permission. Technical specifications and prices are subject to change.

CONTENTS



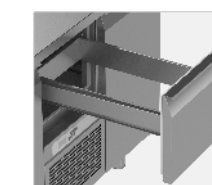
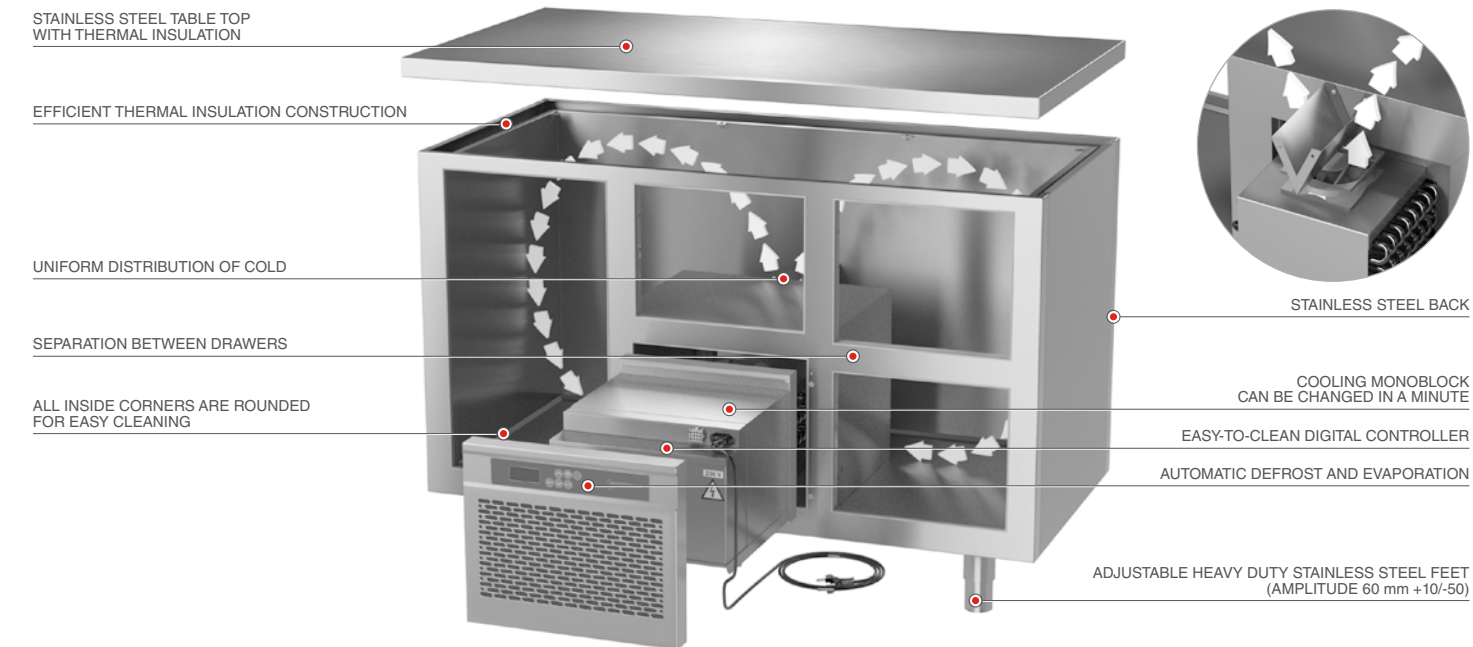
ASK YOUR PROJECT
MANAGER FOR
R290

More technical information on page 9.52 - 9.61.
Different dimensions and configurations are available on request. Examples on page 9.62.

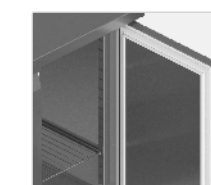


Model	Price, €	Volume, l	Temperature, °C	Input	Power	Layout
FP0-P101-94/70/90	1565	232	+2 ... +8	1,8 A	410 W	
FP0-P101-94/70/90	1827	232	-5 ... +5	1,8 A	410 W	
FP0-P101-94/70/90	2142	232	-20 ... -18	2,3 A	529 W	
FP0-P101-94/70/90	1827	232	-5 ... +8 R290	2,8 A	293 W	
FP0-P101-94/70/90	2142	232	-20 ... -18 R290	4,1 A	542 W	
FP0-P111-94/70/90	1796	232	+2 ... +8	1,8 A	410 W	
FP0-P111-94/70/90	2058	232	-5 ... +5	1,8 A	410 W	
FP0-P111-94/70/90	2373	232	-20 ... -18	2,3 A	529 W	
FP0-P111-94/70/90	2058	232	-5 ... +8 R290	2,8 A	293 W	
FP0-P111-94/70/90	2373	232	-20 ... -18 R290	4,1 A	542 W	
FP0-P121-94/70/90	1911	232	+2 ... +8	1,8 A	410 W	
FP0-P121-94/70/90	2174	232	-5 ... +5	1,8 A	410 W	
FP0-P121-94/70/90	2489	232	-20 ... -18	2,3 A	529 W	
FP0-P121-94/70/90	2174	232	-5 ... +8 R290	2,8 A	293 W	
FP0-P121-94/70/90	2489	232	-20 ... -18 R290	4,1 A	542 W	

STANDARD FEATURES



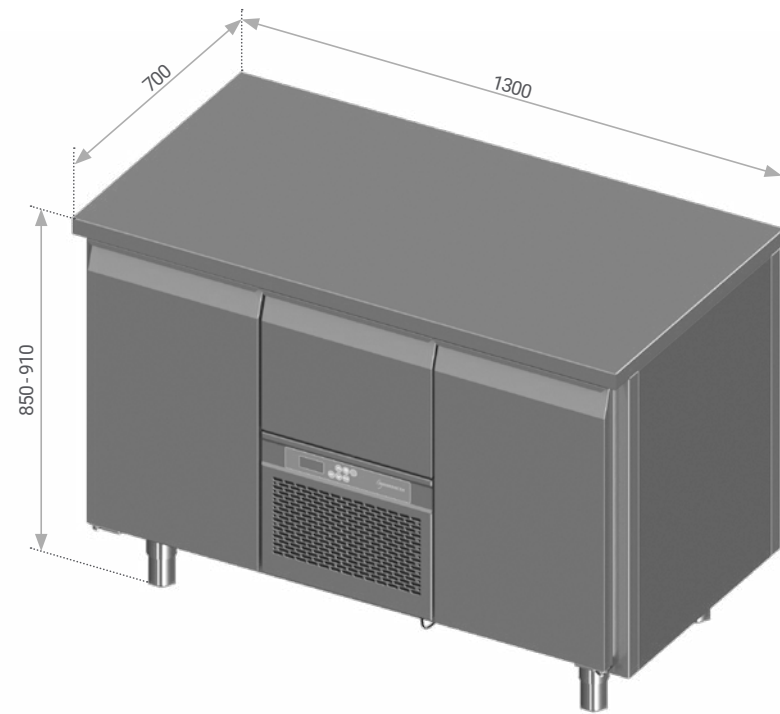
Drawers with 110% extending stainless steel telescopic rails (sizes on page 9.59)



Self-closing door with 50 mm thick insulation. Section with doors equipped with 1 stainless steel grid

OPTIONAL FEATURES

<p>Upstand for the table top Code: FP0-000-12.00 SB Price: 90 €</p>	<p>Solid wood table top: 40 mm thickness All options on page 9.58</p>	<p>Stone table top: 30 mm thickness All options on page 9.58</p>
<p>Without table top Code: F00-000-10.00 SB Price: -20 €</p>	<p>Extra stainless steel grid Code: K-DMLG-530x325 Price/pc: 32 €</p>	<p>Extra stainless steel guide Code: F00-010-20.10 Price/pc: 12 €</p>
<p>Removable drawer dividers for GN (1/3, 1/6, 1/9, 2/3), 2 pcs. Code: A-F-SSGN Price: 15 €</p>	<p>Perforated drawer insert All options on page 9.59</p>	<p>Powder coated exterior Code: Z-FP0-COLOUR Price: 987 € Note: non-standard colours may affect price and production time</p>
<p>Central cooling Code: FP0-C000 Price: Free of charge Note: only for +2 ... +8 °C</p>	<p>EXTENDED WARRANTY Code: Z-SERVICE Price/yr: +6%</p>	



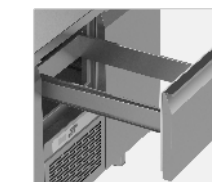
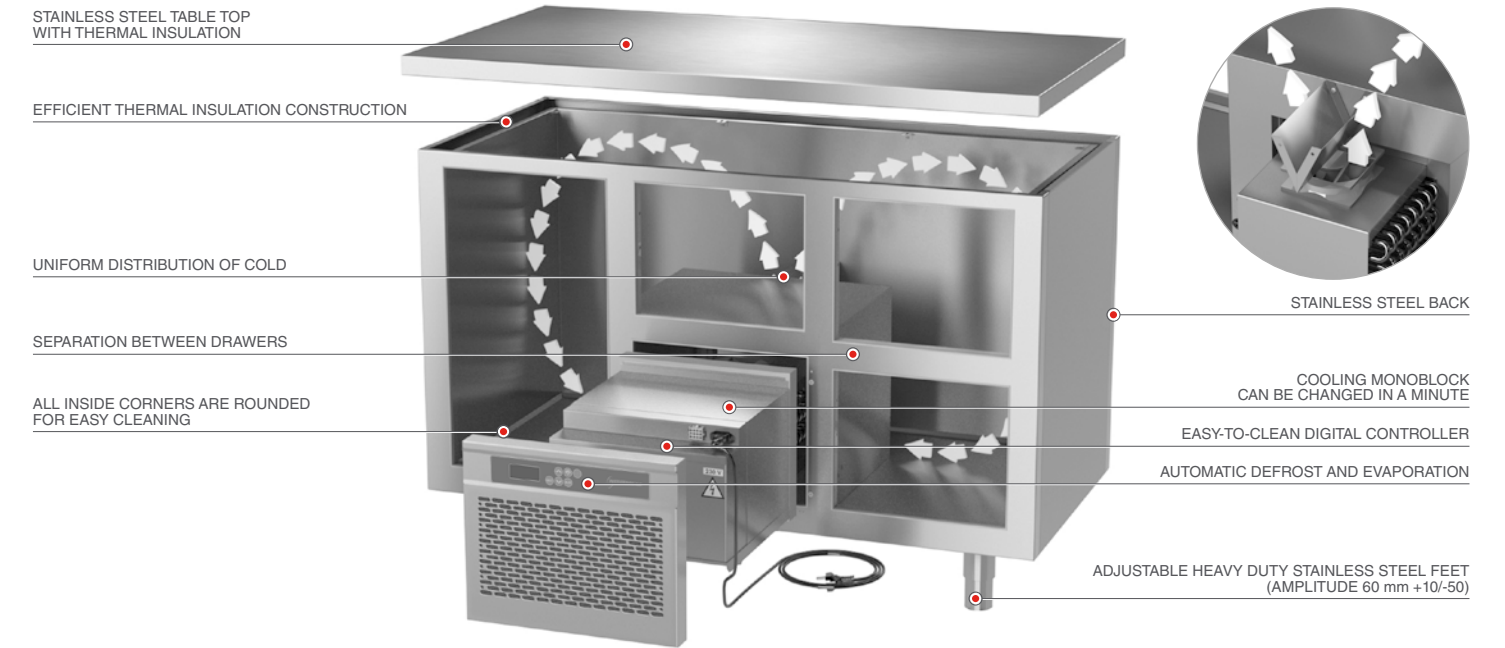
ASK YOUR PROJECT
MANAGER FOR
R290

More technical information on page 9.52 - 9.61.
Different dimensions and configurations are available on request. Examples on page 9.62.



Model	Price, €	Volume, l	Temperature, °C	Input	Power	Layout
FP0-P202-130/70/90	1775	361	+2 ... +8	1,8 A	410 W	
FP0-P202-130/70/90	2037	361	-5 ... +5	1,8 A	410 W	
FP0-P202-130/70/90	2352	361	-20 ... -18	2,3 A	529 W	
FP0-P202-130/70/90	2037	361	-5 ... +8 R290	2,8 A	293 W	
FP0-P202-130/70/90	2352	361	-20 ... -18 R290	4,1 A	542 W	
FP0-P212-130/70/90	2237	361	+2 ... +8	1,8 A	410 W	
FP0-P212-130/70/90	2499	361	-5 ... +5	1,8 A	410 W	
FP0-P212-130/70/90	2814	361	-20 ... -18	2,3 A	529 W	
FP0-P212-130/70/90	2499	361	-5 ... +8 R290	2,8 A	293 W	
FP0-P212-130/70/90	2814	361	-20 ... -18 R290	4,1 A	542 W	
FP0-P222-130/70/90	2468	361	+2 ... +8	1,8 A	410 W	
FP0-P222-130/70/90	2730	361	-5 ... +5	1,8 A	410 W	
FP0-P222-130/70/90	3045	361	-20 ... -18	2,3 A	529 W	
FP0-P222-130/70/90	2730	361	-5 ... +8 R290	2,8 A	293 W	
FP0-P222-130/70/90	3045	361	-20 ... -18 R290	4,1 A	542 W	
FP0-P230-130/70/90	2006	361	+2 ... +8	1,8 A	410 W	
FP0-P230-130/70/90	2268	361	-5 ... +5	1,8 A	410 W	
FP0-P230-130/70/90	2583	361	-20 ... -18	2,3 A	529 W	
FP0-P230-130/70/90	2268	361	-5 ... +8 R290	2,8 A	293 W	
FP0-P230-130/70/90	2583	361	-20 ... -18 R290	4,1 A	542 W	
FP0-P231-130/70/90	2006	361	+2 ... +8	1,8 A	410 W	
FP0-P231-130/70/90	2268	361	-5 ... +5	1,8 A	410 W	
FP0-P231-130/70/90	2583	361	-20 ... -18	2,3 A	529 W	
FP0-P231-130/70/90	2268	361	-5 ... +8 R290	2,8 A	293 W	
FP0-P231-130/70/90	2583	361	-20 ... -18 R290	4,1 A	542 W	
FP0-P240-130/70/90	2121	361	+2 ... +8	1,8 A	410 W	
FP0-P240-130/70/90	2384	361	-5 ... +5	1,8 A	410 W	
FP0-P240-130/70/90	2699	361	-20 ... -18	2,3 A	529 W	
FP0-P240-130/70/90	2384	361	-5 ... +8 R290	2,8 A	293 W	
FP0-P240-130/70/90	2699	361	-20 ... -18 R290	4,1 A	542 W	
FP0-P241-130/70/90	2121	361	+2 ... +8	1,8 A	410 W	
FP0-P241-130/70/90	2384	361	-5 ... +5	1,8 A	410 W	
FP0-P241-130/70/90	2699	361	-20 ... -18	2,3 A	529 W	
FP0-P241-130/70/90	2384	361	-5 ... +8 R290	2,8 A	293 W	
FP0-P241-130/70/90	2699	361	-20 ... -18 R290	4,1 A	542 W	

STANDARD FEATURES

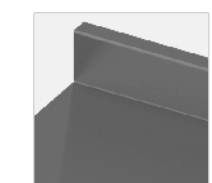


Drawers with 110% extending stainless steel telescopic rails (sizes on page 9.59)

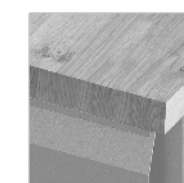


Self-closing door with 50 mm thick insulation. Section with doors equipped with 1 stainless steel grid

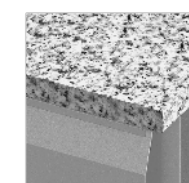
OPTIONAL FEATURES



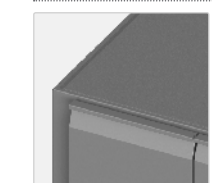
Upstand for the table top
Code: FP0-000-12.00 SB
Price: 90 €



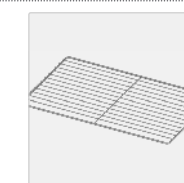
Solid wood table top: 40 mm thickness
All options on page 9.58



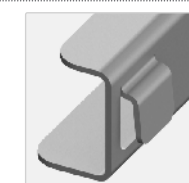
Stone table top: 30 mm thickness
All options on page 9.58



Without table top
Code: F00-000-10.00 SB
Price: -28 €



Extra stainless steel grid
Code: K-DMLG-530x325
Price/pc: 32 €



Extra stainless steel guide
Code: F00-010-20.10
Price/pc: 12 €



Removable drawer dividers for GN (1/3, 1/6, 1/9, 2/3), 2 pcs.
Code: A-F-SSGN
Price: 15 €



Perforated drawer insert
All options on page 9.59



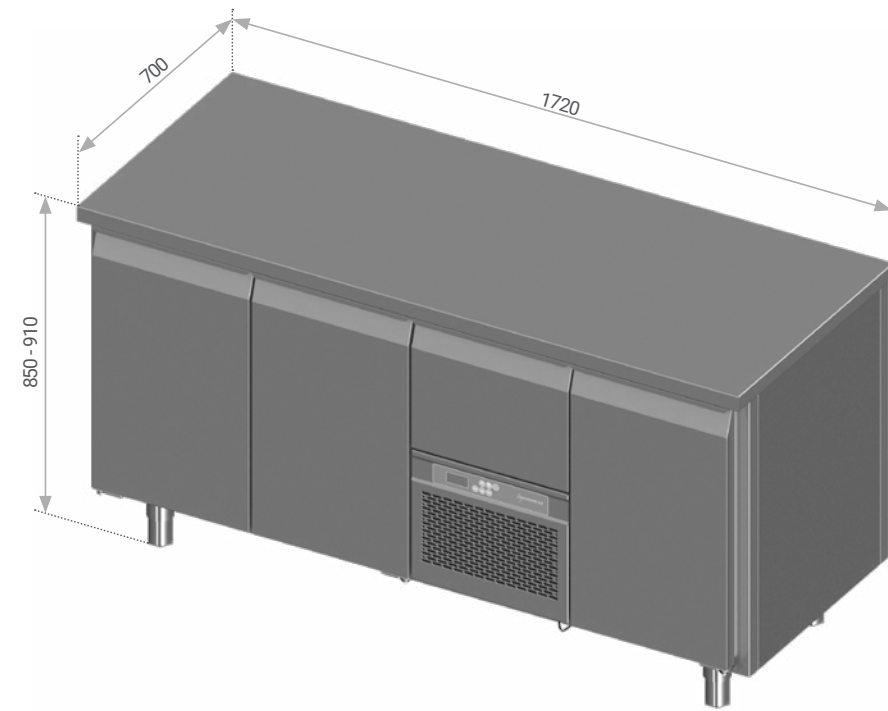
Powder coated exterior
Code: Z-FP0-COLOUR
Price: 987 €
Note: non-standard colours may affect price and production time



Central cooling
Code: FP0-C000
Price: Free of charge
Note: only for +2 ... +8 °C



Extended warranty (covers replacing faulty parts)
Code: Z-SERVICE
Price/yr: +6%



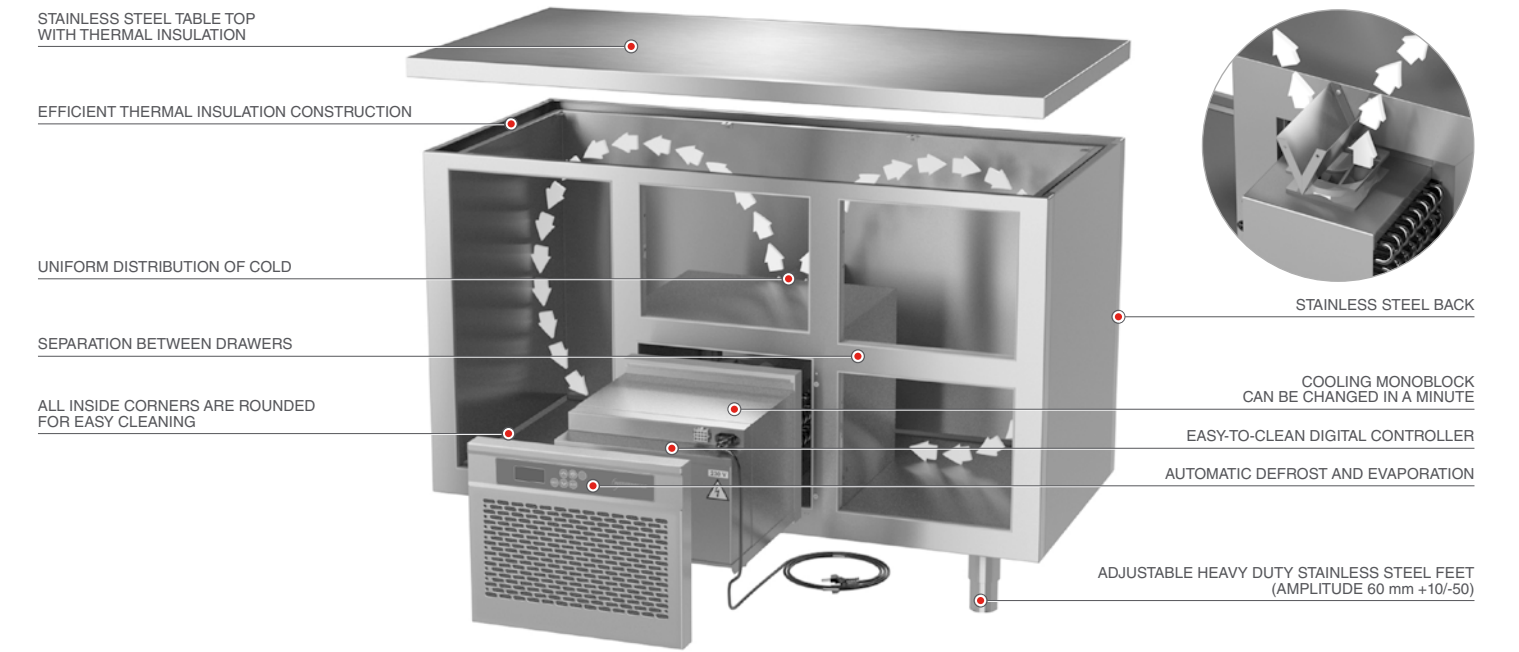
ASK YOUR PROJECT
MANAGER FOR
R290

More technical information on page 9.52 - 9.61.
Different dimensions and configurations are available on request. Examples on page 9.62.



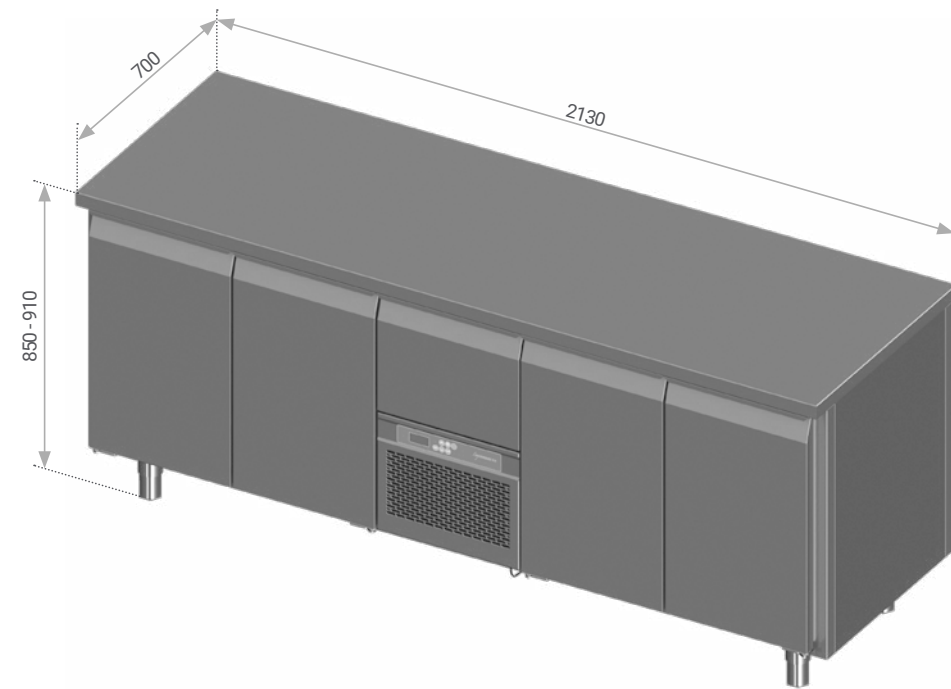
Model	Price, €	Volume, l	Temperature, °C	Input	Power	Layout
FP0-P303-172/70/90	1985	508	+2 ... +8	2,1 A	480 W	
FP0-P303-172/70/90	2247	508	-5 ... +5	2,5 A	575 W	
FP0-P303-172/70/90	2247	508	-5 ... +8 R290	2,8 A	293 W	
FP0-P313-172/70/90	2678	508	+2 ... +8	2,1 A	480 W	
FP0-P313-172/70/90	2940	508	-5 ... +5	2,5 A	575 W	
FP0-P313-172/70/90	2940	508	-5 ... +8 R290	2,8 A	293 W	
FP0-P323-172/70/90	3024	508	+2 ... +8	2,1 A	480 W	
FP0-P323-172/70/90	3287	508	-5 ... +5	2,5 A	575 W	
FP0-P323-172/70/90	3287	508	-5 ... +8 R290	2,8 A	293 W	
FP0-P332-172/70/90	2216	508	+2 ... +8	2,1 A	480 W	
FP0-P332-172/70/90	2478	508	-5 ... +5	2,5 A	575 W	
FP0-P332-172/70/90	2478	508	-5 ... +8 R290	2,8 A	293 W	
FP0-P335-172/70/90	2447	508	+2 ... +8	2,1 A	480 W	
FP0-P335-172/70/90	2709	508	-5 ... +5	2,5 A	575 W	
FP0-P335-172/70/90	2709	508	-5 ... +8 R290	2,8 A	293 W	
FP0-P342-172/70/90	2331	508	+2 ... +8	2,1 A	480 W	
FP0-P342-172/70/90	2594	508	-5 ... +5	2,5 A	575 W	
FP0-P342-172/70/90	2594	508	-5 ... +8 R290	2,8 A	293 W	
FP0-P345-172/70/90	2678	508	+2 ... +8	2,1 A	480 W	
FP0-P345-172/70/90	2940	508	-5 ... +5	2,5 A	575 W	
FP0-P345-172/70/90	2940	508	-5 ... +8 R290	2,8 A	293 W	

STANDARD FEATURES



OPTIONAL FEATURES

<p>Upstand for the table top Code: FP0-000-12.00 SB Price: 90 €</p>	<p>Solid wood table top: 40 mm thickness All options on page 9.58</p>	<p>Stone table top: 30 mm thickness All options on page 9.58</p>
<p>Without table top Code: F00-000-10.00 SB Price: -37 €</p>	<p>Extra stainless steel grid Code: K-DMLG-530x325 Price/pc: 32 €</p>	<p>Extra stainless steel guide Code: F00-010-20.10 Price/pc: 12 €</p>
<p>Removable drawer dividers for GN (1/3, 1/6, 1/9, 2/3), 2 pcs. Code: A-F-SSGN Price: 15 €</p>	<p>Perforated drawer insert All options on page 9.59</p>	<p>Powder coated exterior Code: Z-FP0-COLOUR Price: 987 € Note: non-standard colours may affect price and production time</p>
<p>Central cooling Code: FP0-C000 Price: Free of charge Note: only for +2 ... +8 °C</p>	<p>EXTENDED WARRANTY Code: Z-SERVICE Price/yr: +6%</p>	



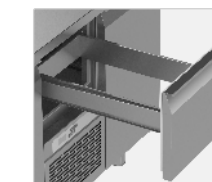
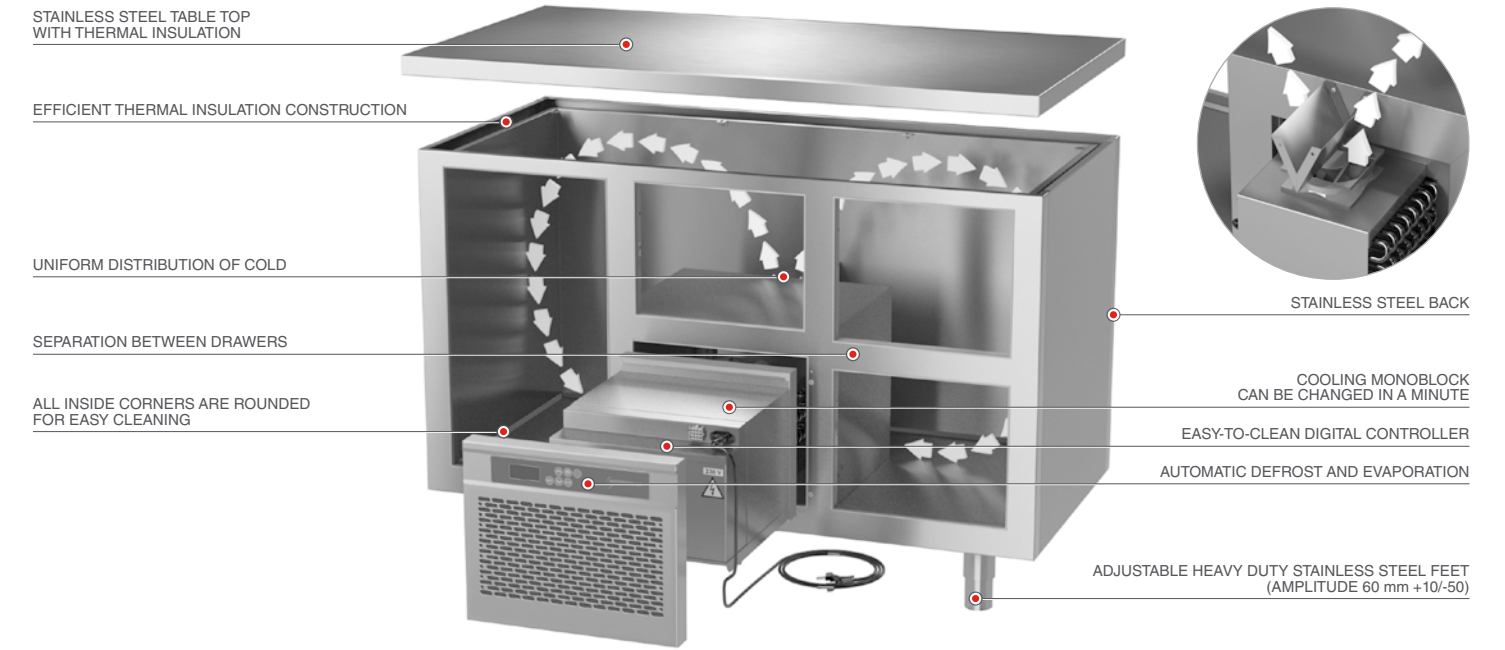
ASK YOUR PROJECT
MANAGER FOR
R290

More technical information on page 9.52 - 9.61.
Different dimensions and configurations are available on request. Examples on page 9.62.

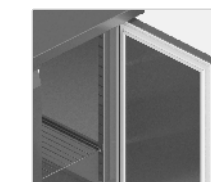


Model	Price, €	Volume, l	Temperature, °C	Input	Power	Layout
FP0-P404-213/70/90	2405	655	+2 ... +8	2,1 A	480 W	
FP0-P404-213/70/90	2667	655	-5 ... +5	2,5 A	575 W	
FP0-P404-213/70/90	2667	655	-5 ... +8 R290	2,8 A	293 W	
FP0-P414-213/70/90	3329	655	+2 ... +8	2,1 A	480 W	
FP0-P414-213/70/90	3591	655	-5 ... +5	2,5 A	575 W	
FP0-P414-213/70/90	3591	655	-5 ... +8 R290	2,8 A	293 W	
FP0-P424-213/70/90	3791	655	+2 ... +8	2,1 A	480 W	
FP0-P424-213/70/90	4053	655	-5 ... +5	2,5 A	575 W	
FP0-P424-213/70/90	4053	655	-5 ... +8 R290	2,8 A	293 W	
FP0-P433-213/70/90	2636	655	+2 ... +8	2,1 A	480 W	
FP0-P433-213/70/90	2898	655	-5 ... +5	2,5 A	575 W	
FP0-P433-213/70/90	2898	655	-5 ... +8 R290	2,8 A	293 W	
FP0-P434-213/70/90	2636	655	+2 ... +8	2,1 A	480 W	
FP0-P434-213/70/90	2898	655	-5 ... +5	2,5 A	575 W	
FP0-P434-213/70/90	2898	655	-5 ... +8 R290	2,8 A	293 W	
FP0-P436-213/70/90	2867	655	+2 ... +8	2,1 A	480 W	
FP0-P436-213/70/90	3129	655	-5 ... +5	2,5 A	575 W	
FP0-P436-213/70/90	3129	655	-5 ... +8 R290	2,8 A	293 W	
FP0-P437-213/70/90	2867	655	+2 ... +8	2,1 A	480 W	
FP0-P437-213/70/90	3129	655	-5 ... +5	2,5 A	575 W	
FP0-P437-213/70/90	3129	655	-5 ... +8 R290	2,8 A	293 W	
FP0-P438-213/70/90	3098	655	+2 ... +8	2,1 A	480 W	
FP0-P438-213/70/90	3360	655	-5 ... +5	2,5 A	575 W	
FP0-P438-213/70/90	3360	655	-5 ... +8 R290	2,8 A	293 W	
FP0-P439-213/70/90	3098	655	+2 ... +8	2,1 A	480 W	
FP0-P439-213/70/90	3360	655	-5 ... +5	2,5 A	575 W	
FP0-P439-213/70/90	3360	655	-5 ... +8 R290	2,8 A	293 W	
FP0-P443-213/70/90	2751	655	+2 ... +8	2,1 A	480 W	
FP0-P443-213/70/90	3014	655	-5 ... +5	2,5 A	575 W	
FP0-P443-213/70/90	3014	655	-5 ... +8 R290	2,8 A	293 W	
FP0-P444-213/70/90	2751	655	+2 ... +8	2,1 A	480 W	
FP0-P444-213/70/90	3014	655	-5 ... +5	2,5 A	575 W	
FP0-P444-213/70/90	3014	655	-5 ... +8 R290	2,8 A	293 W	
FP0-P446-213/70/90	3098	655	+2 ... +8	2,1 A	480 W	
FP0-P446-213/70/90	3360	655	-5 ... +5	2,5 A	575 W	
FP0-P446-213/70/90	3360	655	-5 ... +8 R290	2,8 A	293 W	
FP0-P447-213/70/90	3098	655	+2 ... +8	2,1 A	480 W	
FP0-P447-213/70/90	3360	655	-5 ... +5	2,5 A	575 W	
FP0-P447-213/70/90	3360	655	-5 ... +8 R290	2,8 A	293 W	
FP0-P448-213/70/90	3444	655	+2 ... +8	2,1 A	480 W	
FP0-P448-213/70/90	3707	655	-5 ... +5	2,5 A	575 W	
FP0-P448-213/70/90	3707	655	-5 ... +8 R290	2,8 A	293 W	
FP0-P449-213/70/90	3444	655	+2 ... +8	2,1 A	480 W	
FP0-P449-213/70/90	3707	655	-5 ... +5	2,5 A	575 W	
FP0-P449-213/70/90	3707	655	-5 ... +8 R290	2,8 A	293 W	

STANDARD FEATURES

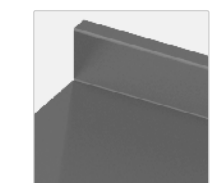


Drawers with 110% extending stainless steel telescopic rails (sizes on page 9.59)

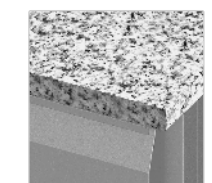


Self-closing door with 50 mm thick insulation. Section with doors equipped with 1 stainless steel grid

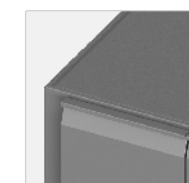
OPTIONAL FEATURES



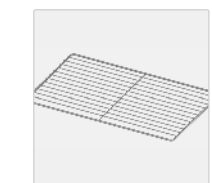
Upstand for the table top
Code: FP0-000-12.00 SB
Price: 90 €



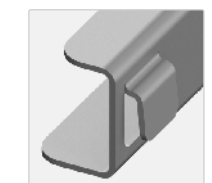
Stone table top: 30 mm thickness
All options on page 9.58



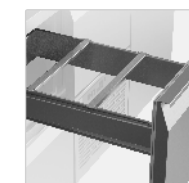
Without table top
Code: F00-000-10.00 SB
Price: -46 €



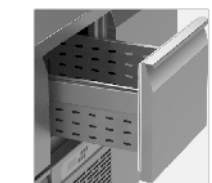
Extra stainless steel grid
Code: K-DMLG-530x325
Price/pc: 32 €



Extra stainless steel guide
Code: F00-010-20.10
Price/pc: 12 €



Removable drawer dividers for GN (1/3, 1/6, 1/9, 2/3), 2 pcs.
Code: A-F-SSGN
Price: 15 €



Perforated drawer insert
All options on page 9.59



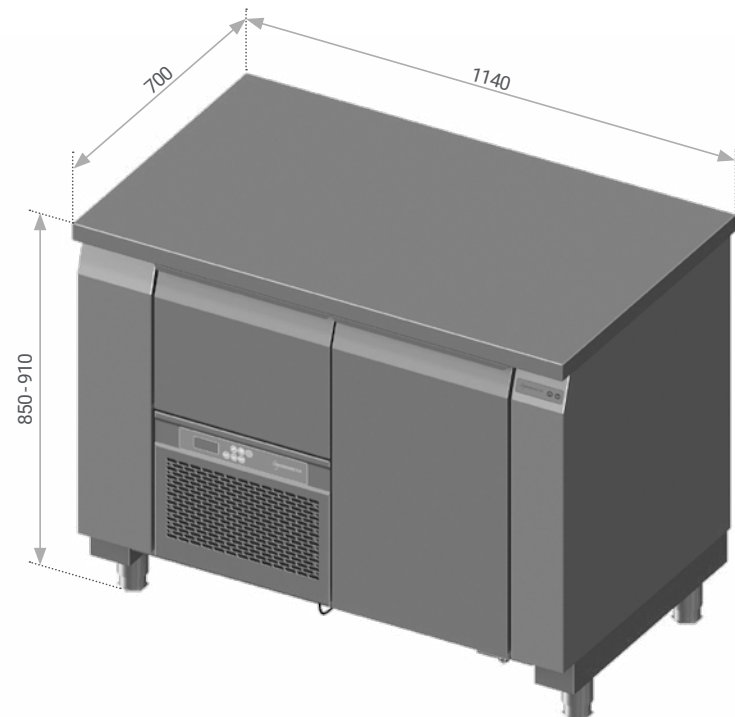
Powder coated exterior
Code: Z-FP0-COLOUR
Price: 987 €
Note: non-standard colours may affect price and production time



Central cooling
Code: FP0-C000
Price: Free of charge
Note: only for +2 ... +8 °C



Extended warranty (covers replacing faulty parts)
Code: Z-SERVICE
Price/yr: +6%



ASK YOUR PROJECT
MANAGER FOR
R290

More technical information on page 9.52 - 9.61.
Different dimensions and configurations are available on request. Examples on page 9.62.



Model	Price, €	Volume, l	Temperature, °C	Input	Power	Layout
FPR-P101-114/70/90	2930	232	+2 ... +8	1,8 A	410 W	
FPR-P101-114/70/90	3192	232	-5 ... +5	1,8 A	410 W	
FPR-P101-114/70/90	3507	232	-20 ... -18	2,3 A	529 W	
FPR-P101-114/70/90	3192	232	-5 ... +8 R290	2,8 A	293 W	
FPR-P101-114/70/90	3507	232	-20 ... -18 R290	4,1 A	542 W	
FPR-P111-114/70/90	3161	232	+2 ... +8	1,8 A	410 W	
FPR-P111-114/70/90	3423	232	-5 ... +5	1,8 A	410 W	
FPR-P111-114/70/90	3738	232	-20 ... -18	2,3 A	529 W	
FPR-P111-114/70/90	3423	232	-5 ... +8 R290	2,8 A	293 W	
FPR-P111-114/70/90	3738	232	-20 ... -18 R290	4,1 A	542 W	
FPR-P121-114/70/90	3276	232	+2 ... +8	1,8 A	410 W	
FPR-P121-114/70/90	3539	232	-5 ... +5	1,8 A	410 W	
FPR-P121-114/70/90	3854	232	-20 ... -18	2,3 A	529 W	
FPR-P121-114/70/90	3539	232	-5 ... +8 R290	2,8 A	293 W	
FPR-P121-114/70/90	3854	232	-20 ... -18 R290	4,1 A	542 W	

STANDARD FEATURES

ADJUSTABLE HEIGHT
(800 - 1000 mm)

Easy service. Cooling monoblock can be changed in a minute

Drawers with 110% extending stainless steel telescopic rails (sizes on page 9.59)

Self-closing door with 50 mm thick insulation. Section with doors equipped with 1 stainless steel grid

Easy-to-clean digital controller with temperature display

All inside corners are rounded for easy cleaning

Uniform distribution of cold, automatic defrost and evaporation of condensate

Efficient thermal insulation, low energy consumption

OPTIONAL FEATURES

Upstand for the table top

Code: FP0-000-12.00 SB
Price: 90 €

Solid wood table top: 40 mm thickness

All options on page 9.58

Stone table top: 30 mm thickness

All options on page 9.58

Without table top

Code: F00-000-10.00 SB
Price: -20 €

Extra stainless steel grid

Code: K-DMLG-530x325
Price/pc: 32 €

Extra stainless steel guide

Code: F00-010-20.10
Price/pc: 12 €

Removable drawer dividers for GN (1/3, 1/6, 1/9, 2/3), 2 pcs.

Code: A-F-SSGN
Price: 15 €

Perforated drawer insert

All options on page 9.59

Powder coated exterior

Code: Z-FP0-COLOUR
Price: 987 €

Note: non-standard colours may affect price and production time

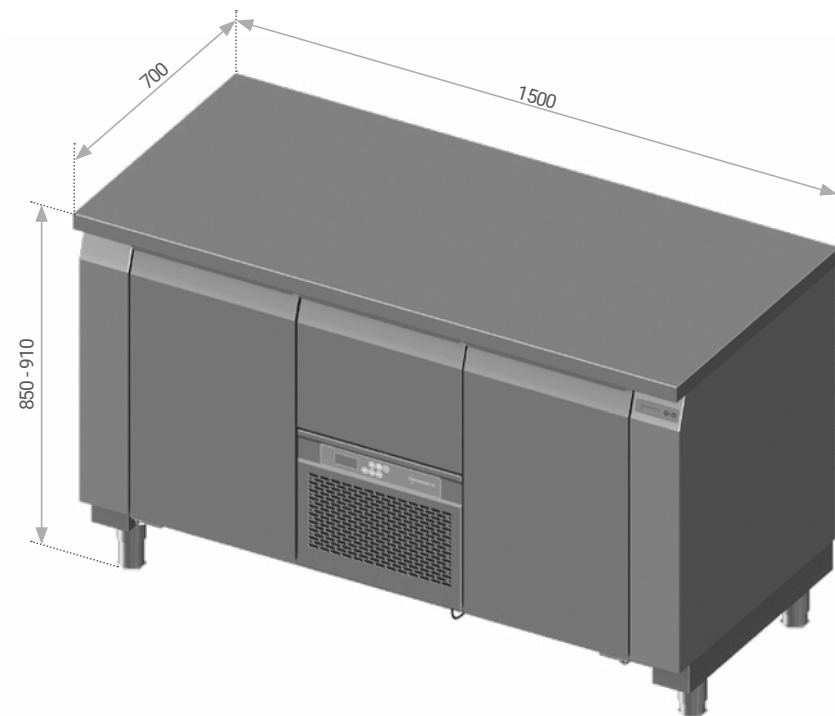
Central cooling

Code: FP0-C000
Price: Free of charge
Note: only for +2 ... +8 °C

EXTENDED WARRANTY

Extended warranty (covers replacing faulty parts)

Code: Z-SERVICE
Price/yr: +6%



ASK YOUR PROJECT
MANAGER FOR
R290

More technical information on page 9.52 - 9.61.
Different dimensions and configurations are available on request. Examples on page 9.62.



Model	Price, €	Volume, l	Temperature, °C	Input	Power	Layout
FPR-P202-150/70/90	3140	361	+2 ... +8	1,8 A	410 W	
FPR-P202-150/70/90	3402	361	-5 ... +5	1,8 A	410 W	
FPR-P202-150/70/90	3717	361	-20 ... -18	2,3 A	529 W	
FPR-P202-150/70/90	3402	361	-5 ... +8 R290	2,8 A	293 W	
FPR-P202-150/70/90	3717	361	-20 ... -18 R290	4,1 A	542 W	
FPR-P212-150/70/90	3602	361	+2 ... +8	1,8 A	410 W	
FPR-P212-150/70/90	3864	361	-5 ... +5	1,8 A	410 W	
FPR-P212-150/70/90	4179	361	-20 ... -18	2,3 A	529 W	
FPR-P212-150/70/90	3864	361	-5 ... +8 R290	2,8 A	293 W	
FPR-P212-150/70/90	4179	361	-20 ... -18 R290	4,1 A	542 W	
FPR-P222-150/70/90	3833	361	+2 ... +8	1,8 A	410 W	
FPR-P222-150/70/90	4095	361	-5 ... +5	1,8 A	410 W	
FPR-P222-150/70/90	4410	361	-20 ... -18	2,3 A	529 W	
FPR-P222-150/70/90	4095	361	-5 ... +8 R290	2,8 A	293 W	
FPR-P222-150/70/90	4410	361	-20 ... -18 R290	4,1 A	542 W	
FPR-P230-150/70/90	3371	361	+2 ... +8	1,8 A	410 W	
FPR-P230-150/70/90	3633	361	-5 ... +5	1,8 A	410 W	
FPR-P230-150/70/90	3948	361	-20 ... -18	2,3 A	529 W	
FPR-P230-150/70/90	3633	361	-5 ... +8 R290	2,8 A	293 W	
FPR-P230-150/70/90	3948	361	-20 ... -18 R290	4,1 A	542 W	
FPR-P231-150/70/90	3371	361	+2 ... +8	1,8 A	410 W	
FPR-P231-150/70/90	3633	361	-5 ... +5	1,8 A	410 W	
FPR-P231-150/70/90	3948	361	-20 ... -18	2,3 A	529 W	
FPR-P231-150/70/90	3633	361	-5 ... +8 R290	2,8 A	293 W	
FPR-P231-150/70/90	3948	361	-20 ... -18 R290	4,1 A	542 W	
FPR-P240-150/70/90	3486	361	+2 ... +8	1,8 A	410 W	
FPR-P240-150/70/90	3749	361	-5 ... +5	1,8 A	410 W	
FPR-P240-150/70/90	4064	361	-20 ... -18	2,3 A	529 W	
FPR-P240-150/70/90	3749	361	-5 ... +8 R290	2,8 A	293 W	
FPR-P240-150/70/90	4064	361	-20 ... -18 R290	4,1 A	542 W	
FPR-P241-150/70/90	3486	361	+2 ... +8	1,8 A	410 W	
FPR-P241-150/70/90	3749	361	-5 ... +5	1,8 A	410 W	
FPR-P241-150/70/90	4064	361	-20 ... -18	2,3 A	529 W	
FPR-P241-150/70/90	3749	361	-5 ... +8 R290	2,8 A	293 W	
FPR-P241-150/70/90	4064	361	-20 ... -18 R290	4,1 A	542 W	

STANDARD FEATURES

ADJUSTABLE HEIGHT
(800 - 1000 mm)

Easy service. Cooling monoblock can be changed in a minute

Drawers with 110% extending stainless steel telescopic rails (sizes on page 9.59)

Self-closing door with 50 mm thick insulation. Section with doors equipped with 1 stainless steel grid

Easy-to-clean digital controller with temperature display

All inside corners are rounded for easy cleaning

Uniform distribution of cold, automatic defrost and evaporation of condensate

Efficient thermal insulation, low energy consumption

OPTIONAL FEATURES

Upstand for the table top

Code: FP0-000-12.00 SB
Price: 90 €

Solid wood table top: 40 mm thickness

All options on page 9.58

Stone table top: 30 mm thickness

All options on page 9.58

Without table top

Code: F00-000-10.00 SB
Price: -28 €

Extra stainless steel grid

Code: K-DMLG-530x325
Price/pc: 32 €

Extra stainless steel guide

Code: F00-010-20.10
Price/pc: 12 €

Removable drawer dividers for GN (1/3, 1/6, 1/9, 2/3), 2 pcs.

Code: A-F-SSGN
Price: 15 €

Perforated drawer insert

All options on page 9.59

Powder coated exterior

Code: Z-FP0-COLOUR
Price: 987 €

Note: non-standard colours may affect price and production time

Central cooling

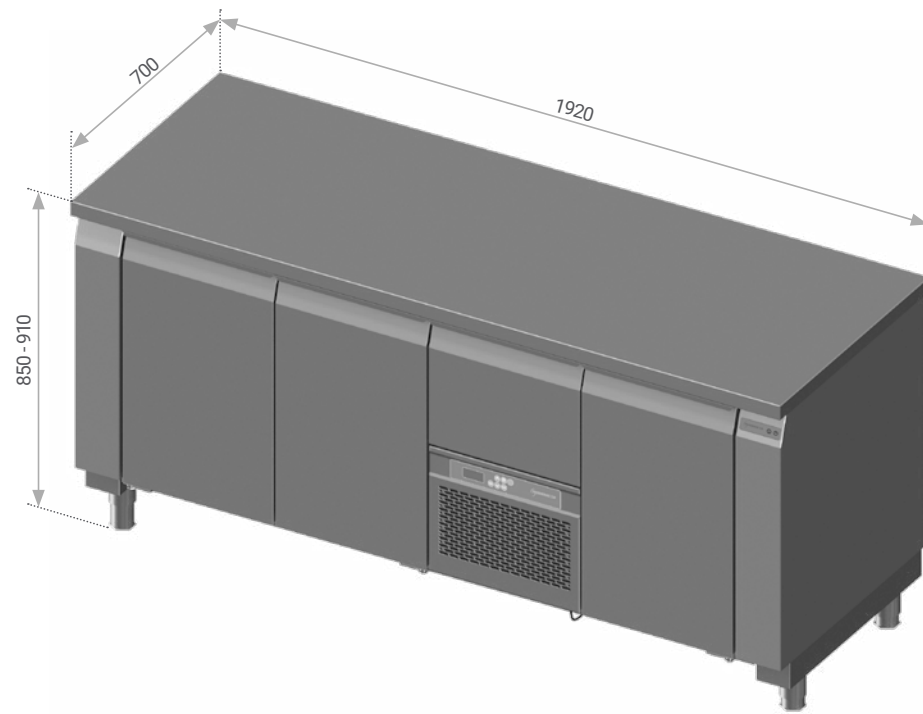
Code: FP0-C000
Price: Free of charge

Note: only for +2 ... +8 °C

EXTENDED WARRANTY

Extended warranty (covers replacing faulty parts)

Code: Z-SERVICE
Price/yr: +6%



ASK YOUR PROJECT
MANAGER FOR
R290

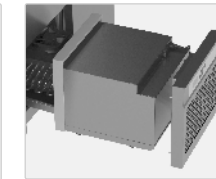
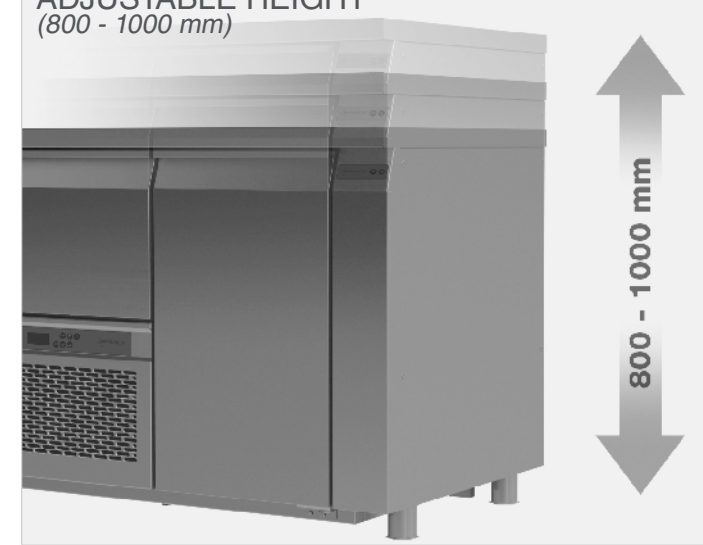
More technical information on page 9.52 - 9.61.
Different dimensions and configurations are available on request. Examples on page 9.62.



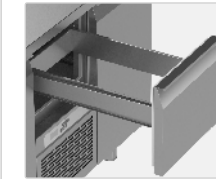
Model	Price, €	Volume, l	Temperature, °C	Input	Power	Layout
FPR-P303-192/70/90	3350	508	+2 ... +8	2,1 A	480 W	
FPR-P303-192/70/90	3612	508	-5 ... +5	2,5 A	575 W	
FPR-P303-192/70/90	3612	508	-5 ... +8 R290	2,8 A	293 W	
FPR-P313-192/70/90	4043	508	+2 ... +8	2,1 A	480 W	
FPR-P313-192/70/90	4305	508	-5 ... +5	2,5 A	575 W	
FPR-P313-192/70/90	4305	508	-5 ... +8 R290	2,8 A	293 W	
FPR-P323-192/70/90	4389	508	+2 ... +8	2,1 A	480 W	
FPR-P323-192/70/90	4652	508	-5 ... +5	2,5 A	575 W	
FPR-P323-192/70/90	4652	508	-5 ... +8 R290	2,8 A	293 W	
FPR-P332-192/70/90	3581	508	+2 ... +8	2,1 A	480 W	
FPR-P332-192/70/90	3843	508	-5 ... +5	2,5 A	575 W	
FPR-P332-192/70/90	3843	508	-5 ... +8 R290	2,8 A	293 W	
FPR-P335-192/70/90	3812	508	+2 ... +8	2,1 A	480 W	
FPR-P335-192/70/90	4074	508	-5 ... +5	2,5 A	575 W	
FPR-P335-192/70/90	4074	508	-5 ... +8 R290	2,8 A	293 W	
FPR-P342-192/70/90	3696	508	+2 ... +8	2,1 A	480 W	
FPR-P342-192/70/90	3959	508	-5 ... +5	2,5 A	575 W	
FPR-P342-192/70/90	3959	508	-5 ... +8 R290	2,8 A	293 W	
FPR-P345-192/70/90	4043	508	+2 ... +8	2,1 A	480 W	
FPR-P345-192/70/90	4305	508	-5 ... +5	2,5 A	575 W	
FPR-P345-192/70/90	4305	508	-5 ... +8 R290	2,8 A	293 W	

STANDARD FEATURES

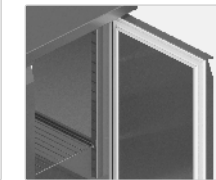
ADJUSTABLE HEIGHT
(800 - 1000 mm)



Easy service. Cooling monoblock can be changed in a minute



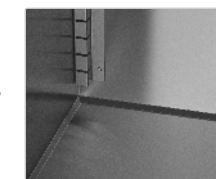
Drawers with 110% extending stainless steel telescopic rails (sizes on page 9.59)



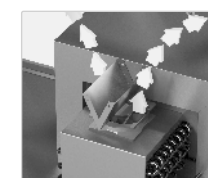
Self-closing door with 50 mm thick insulation. Section with doors equipped with 1 stainless steel grid



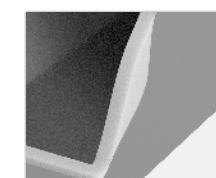
Easy-to-clean digital controller with temperature display



All inside corners are rounded for easy cleaning

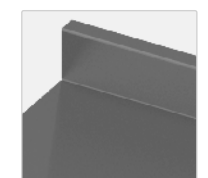


Uniform distribution of cold, automatic defrost and evaporation of condensate

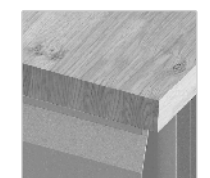


Efficient thermal insulation, low energy consumption

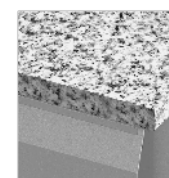
OPTIONAL FEATURES



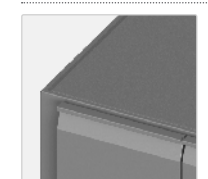
Upstand for the table top
Code: FP0-000-12.00 SB
Price: 90 €



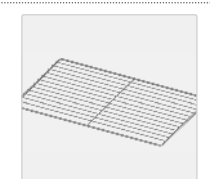
Solid wood table top: 40 mm thickness
All options on page 9.58



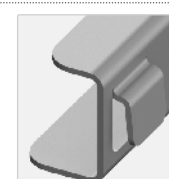
Stone table top: 30 mm thickness
All options on page 9.58



Without table top
Code: F00-000-10.00 SB
Price: -37 €



Extra stainless steel grid
Code: K-DMLG-530x325
Price/pc: 32 €



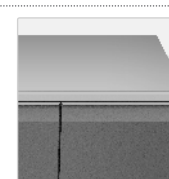
Extra stainless steel guide
Code: F00-010-20.10
Price/pc: 12 €



Removable drawer dividers for GN (1/3, 1/6, 1/9, 2/3), 2 pcs.
Code: A-F-SSGN
Price: 15 €



Perforated drawer insert
All options on page 9.59



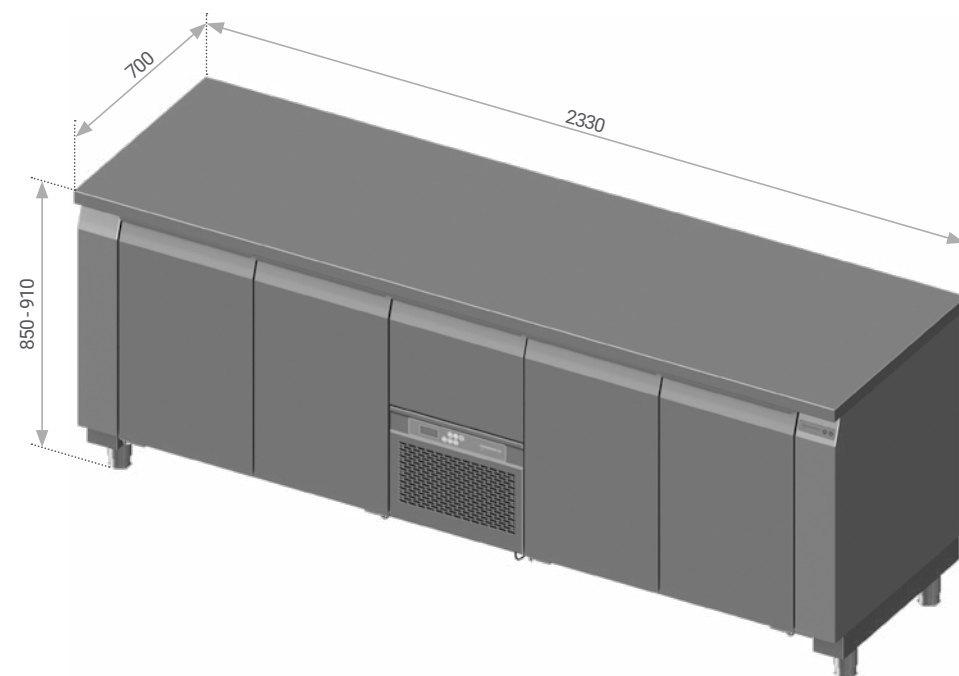
Powder coated exterior
Code: Z-FP0-COLOUR
Price: 987 €
Note: non-standard colours may affect price and production time



Central cooling
Code: FP0-C000
Price: Free of charge
Note: only for +2 ... +8 °C



Extended warranty (covers replacing faulty parts)
Code: Z-SERVICE
Price/yr: +6%



ASK YOUR PROJECT
MANAGER FOR
R290

More technical information on page 9.52 - 9.61.
Different dimensions and configurations are available on request. Examples on page 9.62.



Model	Price, €	Volume, l	Temperature, °C	Input	Power	Layout
FPR-P404-233/70/90	3770	655	+2 ... +8	2,1 A	480 W	
FPR-P404-233/70/90	4032	655	-5 ... +5	2,5 A	575 W	
FPR-P404-233/70/90	4032	655	-5 ... +8 R290	2,8 A	293 W	
FPR-P414-233/70/90	4694	655	+2 ... +8	2,1 A	480 W	
FPR-P414-233/70/90	4956	655	-5 ... +5	2,5 A	575 W	
FPR-P414-233/70/90	4956	655	-5 ... +8 R290	2,8 A	293 W	
FPR-P424-233/70/90	5156	655	+2 ... +8	2,1 A	480 W	
FPR-P424-233/70/90	5418	655	-5 ... +5	2,5 A	575 W	
FPR-P424-233/70/90	5418	655	-5 ... +8 R290	2,8 A	293 W	
FPR-P433-233/70/90	4001	655	+2 ... +8	2,1 A	480 W	
FPR-P433-233/70/90	4263	655	-5 ... +5	2,5 A	575 W	
FPR-P433-233/70/90	4263	655	-5 ... +8 R290	2,8 A	293 W	
FPR-P434-233/70/90	4001	655	+2 ... +8	2,1 A	480 W	
FPR-P434-233/70/90	4263	655	-5 ... +5	2,5 A	575 W	
FPR-P434-233/70/90	4263	655	-5 ... +8 R290	2,8 A	293 W	
FPR-P436-233/70/90	4232	655	+2 ... +8	2,1 A	480 W	
FPR-P436-233/70/90	4494	655	-5 ... +5	2,5 A	575 W	
FPR-P436-233/70/90	4494	655	-5 ... +8 R290	2,8 A	293 W	
FPR-P437-233/70/90	4232	655	+2 ... +8	2,1 A	480 W	
FPR-P437-233/70/90	4494	655	-5 ... +5	2,5 A	575 W	
FPR-P437-233/70/90	4494	655	-5 ... +8 R290	2,8 A	293 W	
FPR-P438-233/70/90	4463	655	+2 ... +8	2,1 A	480 W	
FPR-P438-233/70/90	4725	655	-5 ... +5	2,5 A	575 W	
FPR-P438-233/70/90	4725	655	-5 ... +8 R290	2,8 A	293 W	
FPR-P439-233/70/90	4463	655	+2 ... +8	2,1 A	480 W	
FPR-P439-233/70/90	4725	655	-5 ... +5	2,5 A	575 W	
FPR-P439-233/70/90	4725	655	-5 ... +8 R290	2,8 A	293 W	
FPR-P443-233/70/90	4116	655	+2 ... +8	2,1 A	480 W	
FPR-P443-233/70/90	4379	655	-5 ... +5	2,5 A	575 W	
FPR-P443-233/70/90	4379	655	-5 ... +8 R290	2,8 A	293 W	
FPR-P444-233/70/90	4116	655	+2 ... +8	2,1 A	480 W	
FPR-P444-233/70/90	4379	655	-5 ... +5	2,5 A	575 W	
FPR-P444-233/70/90	4379	655	-5 ... +8 R290	2,8 A	293 W	
FPR-P446-233/70/90	4463	655	+2 ... +8	2,1 A	480 W	
FPR-P446-233/70/90	4725	655	-5 ... +5	2,5 A	575 W	
FPR-P446-233/70/90	4725	655	-5 ... +8 R290	2,8 A	293 W	
FPR-P447-233/70/90	4463	655	+2 ... +8	2,1 A	480 W	
FPR-P447-233/70/90	4725	655	-5 ... +5	2,5 A	575 W	
FPR-P447-233/70/90	4725	655	-5 ... +8 R290	2,8 A	293 W	
FPR-P448-233/70/90	4809	655	+2 ... +8	2,1 A	480 W	
FPR-P448-233/70/90	5072	655	-5 ... +5	2,5 A	575 W	
FPR-P448-233/70/90	5072	655	-5 ... +8 R290	2,8 A	293 W	
FPR-P449-233/70/90	4809	655	+2 ... +8	2,1 A	480 W	
FPR-P449-233/70/90	5072	655	-5 ... +5	2,5 A	575 W	
FPR-P449-233/70/90	5072	655	-5 ... +8 R290	2,8 A	293 W	

STANDARD FEATURES

ADJUSTABLE HEIGHT
(800 - 1000 mm)

Easy service. Cooling monoblock can be changed in a minute

Drawers with 110% extending stainless steel telescopic rails (sizes on page 9.59)

Self-closing door with 50 mm thick insulation. Section with doors equipped with 1 stainless steel grid

Easy-to-clean digital controller with temperature display

All inside corners are rounded for easy cleaning

Uniform distribution of cold, automatic defrost and evaporation of condensate

Efficient thermal insulation, low energy consumption

OPTIONAL FEATURES

Upstand for the table top

Code: FP0-000-12.00 SB
Price: 90 €

Stone table top: 30 mm thickness

All options on page 9.58

Without table top

Code: F00-000-10.00 SB
Price: -46 €

Extra stainless steel grid

Code: K-DMLG-530x325
Price/pc: 32 €

Extra stainless steel guide

Code: F00-010-20.10
Price/pc: 12 €

Removable drawer dividers for GN (1/3, 1/6, 1/9, 2/3), 2 pcs.

Code: A-F-SSGN
Price: 15 €

Perforated drawer insert

All options on page 9.59

Powder coated exterior

Code: Z-FP0-COLOUR
Price: 987 €

Note: non-standard colours may affect price and production time

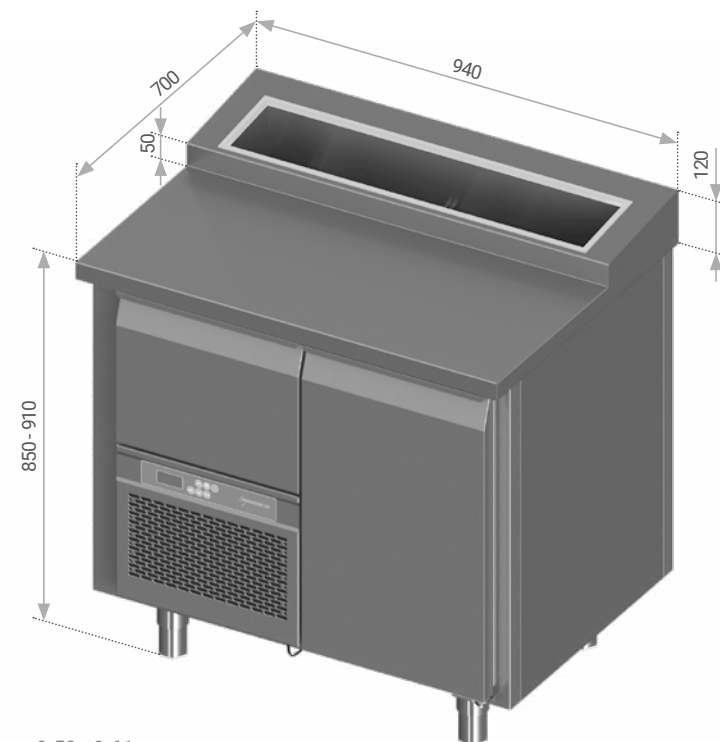
Central cooling

Code: FP0-C000
Price: Free of charge

Note: only for +2 ... +8 °C

EXTENDED WARRANTY

Code: Z-SERVICE
Price/yr: +6%



ASK YOUR PROJECT
MANAGER FOR
R290

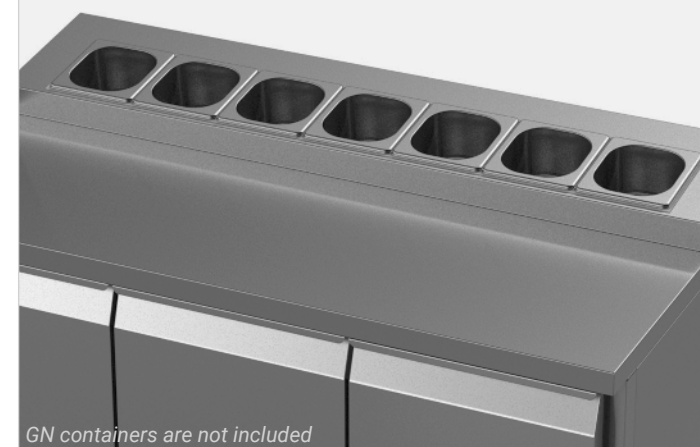
More technical information on page 9.52 - 9.61.
Different dimensions and configurations are available on request. Examples on page 9.62.



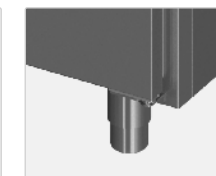
Model	Price, €	Volume, l	GN containers	Temperature, °C	Input	Power	Layout
FS0-P101-94/70/90	1819	232	5 GN1/6	+2 ... +8	1,8 A	410 W	
FS0-P101-94/70/90	2081	232	5 GN1/6	-5 ... +5	1,8 A	410 W	
FS0-P101-94/70/90	2081	232	5 GN1/6	-5 ... +8 R290	2,8 A	293 W	
FS0-P111-94/70/90	2050	232	5 GN1/6	+2 ... +8	1,8 A	410 W	
FS0-P111-94/70/90	2312	232	5 GN1/6	-5 ... +5	1,8 A	410 W	
FS0-P111-94/70/90	2312	232	5 GN1/6	-5 ... +8 R290	2,8 A	293 W	
FS0-P121-94/70/90	2165	232	5 GN1/6	+2 ... +8	1,8 A	410 W	
FS0-P121-94/70/90	2428	232	5 GN1/6	-5 ... +5	1,8 A	410 W	
FS0-P121-94/70/90	2428	232	5 GN1/6	-5 ... +8 R290	2,8 A	293 W	

STANDARD FEATURES

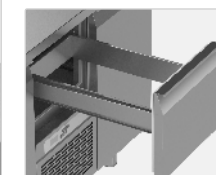
DESIGNED FOR GN 1/3 OR 1/6 CONTAINERS



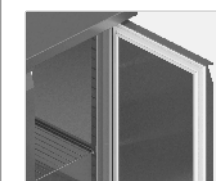
GN containers are not included



Adjustable heavy duty stainless steel feet (amplitude 60 mm +10/-50)



Drawers with 110% extending stainless steel telescopic rails (sizes on page 9.59)



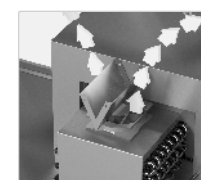
Self-closing door with 50 mm thick insulation. Section with doors equipped with 1 stainless steel grid



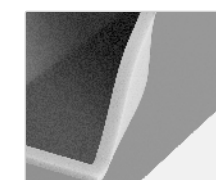
Easy-to-clean digital controller with temperature display



All inside corners are rounded for easy cleaning

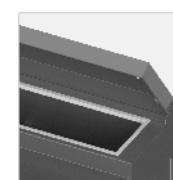


Uniform distribution of cold, automatic defrost and evaporation of condensate

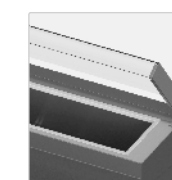


Efficient thermal insulation, low energy consumption

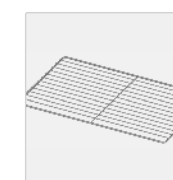
OPTIONAL FEATURES



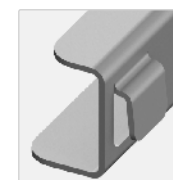
Stainless steel lid
Code: FS0-000-12.60 SB
Price: 42 €



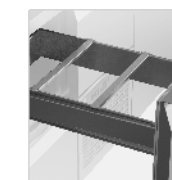
Acrylic glass lid
Code: FS0-000-12.70 SB
Price: 98 €



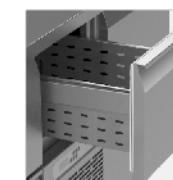
Extra stainless steel grid
Code: K-DMLG-530x325
Price/pc: 32 €



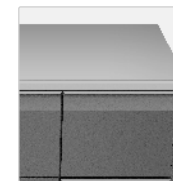
Extra stainless steel guide
Code: F00-010-20.10
Price/pc: 12 €



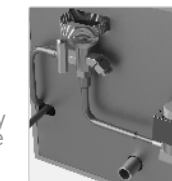
Removable drawer dividers for GN (1/3, 1/6, 1/9, 2/3), 2 pcs.
Code: A-F-SSGN
Price: 15 €



Perforated drawer insert
All options on page 9.59



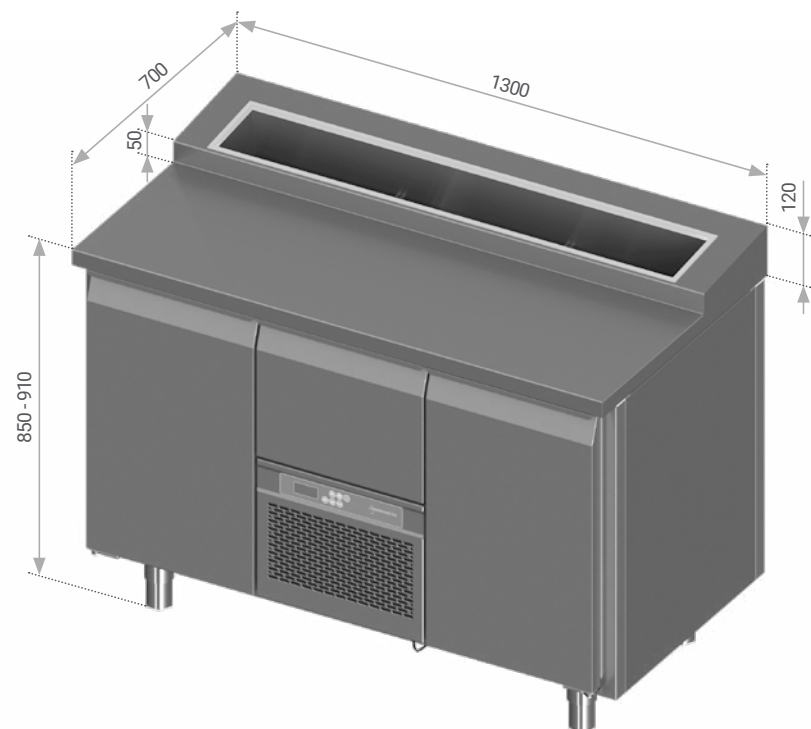
Powder coated exterior
Code: Z-FS0-COLOUR
Price: 987 €
Note: non-standard colours may affect price and production time



Central cooling
Code: FS0-C000
Price: Free of charge
Note: only for +2 ... +8 °C



Extended warranty (covers replacing faulty parts)
Code: Z-SERVICE
Price/yr: +6%



ASK YOUR PROJECT
MANAGER FOR
R290

More technical information on page 9.52 - 9.61.
Different dimensions and configurations are available on request. Examples on page 9.62.



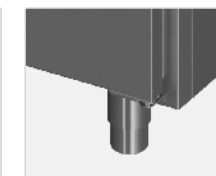
Model	Price, €	Volume, l	GN containers	Temperature, °C	Input	Power	Layout
FS0-P202-130/70/90	2159	361	7 GN1/6	+2 ... +8	1,8 A	410 W	
FS0-P202-130/70/90	2421	361	7 GN1/6	-5 ... +5	1,8 A	410 W	
FS0-P202-130/70/90	2421	361	7 GN1/6	-5 ... +8 R290	2,8 A	293 W	
FS0-P212-130/70/90	2621	361	7 GN1/6	+2 ... +8	1,8 A	410 W	
FS0-P212-130/70/90	2883	361	7 GN1/6	-5 ... +5	1,8 A	410 W	
FS0-P212-130/70/90	2883	361	7 GN1/6	-5 ... +8 R290	2,8 A	293 W	
FS0-P222-130/70/90	2852	361	7 GN1/6	+2 ... +8	1,8 A	410 W	
FS0-P222-130/70/90	3114	361	7 GN1/6	-5 ... +5	1,8 A	410 W	
FS0-P222-130/70/90	3114	361	7 GN1/6	-5 ... +8 R290	2,8 A	293 W	
FS0-P230-130/70/90	2390	361	7 GN1/6	+2 ... +8	1,8 A	410 W	
FS0-P230-130/70/90	2652	361	7 GN1/6	-5 ... +5	1,8 A	410 W	
FS0-P230-130/70/90	2652	361	7 GN1/6	-5 ... +8 R290	2,8 A	293 W	
FS0-P231-130/70/90	2390	361	7 GN1/6	+2 ... +8	1,8 A	410 W	
FS0-P231-130/70/90	2652	361	7 GN1/6	-5 ... +5	1,8 A	410 W	
FS0-P231-130/70/90	2652	361	7 GN1/6	-5 ... +8 R290	2,8 A	293 W	
FS0-P240-130/70/90	2505	361	7 GN1/6	+2 ... +8	1,8 A	410 W	
FS0-P240-130/70/90	2768	361	7 GN1/6	-5 ... +5	1,8 A	410 W	
FS0-P240-130/70/90	2768	361	7 GN1/6	-5 ... +8 R290	2,8 A	293 W	
FS0-P241-130/70/90	2505	361	7 GN1/6	+2 ... +8	1,8 A	410 W	
FS0-P241-130/70/90	2768	361	7 GN1/6	-5 ... +5	1,8 A	410 W	
FS0-P241-130/70/90	2768	361	7 GN1/6	-5 ... +8 R290	2,8 A	293 W	

DESIGNED FOR GN 1/3 OR 1/6 CONTAINERS

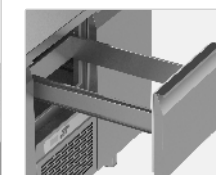


GN containers are not included

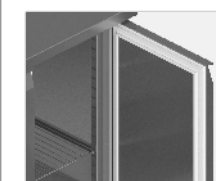
STANDARD FEATURES



Adjustable heavy duty stainless steel feet (amplitude 60 mm +10/-50)



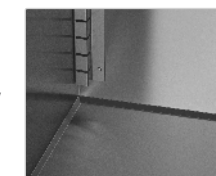
Drawers with 110% extending stainless steel telescopic rails (sizes on page 9.59)



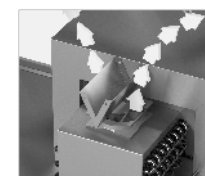
Self-closing door with 50 mm thick insulation. Section with doors equipped with 1 stainless steel grid



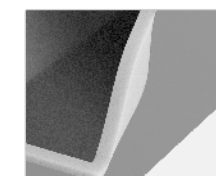
Easy-to-clean digital controller with temperature display



All inside corners are rounded for easy cleaning

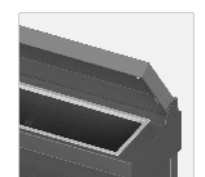


Uniform distribution of cold, automatic defrost and evaporation of condensate

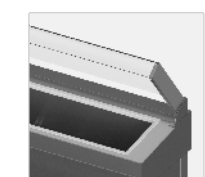


Efficient thermal insulation, low energy consumption

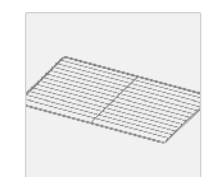
OPTIONAL FEATURES



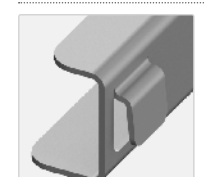
Stainless steel lid
Code: FS0-000-12.60 SB
Price: 48 €



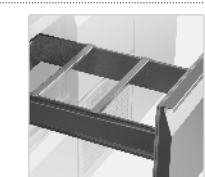
Acrylic glass lid
Code: FS0-000-12.70 SB
Price: 114 €



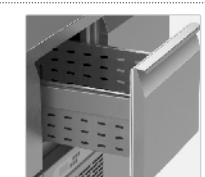
Extra stainless steel grid
Code: K-DMLG-530x325
Price/pc: 32 €



Extra stainless steel guide
Code: F00-010-20.10
Price/pc: 12 €



Removable drawer dividers for GN (1/3, 1/6, 1/9, 2/3), 2 pcs.
Code: A-F-SSGN
Price: 15 €



Perforated drawer insert
All options on page 9.59



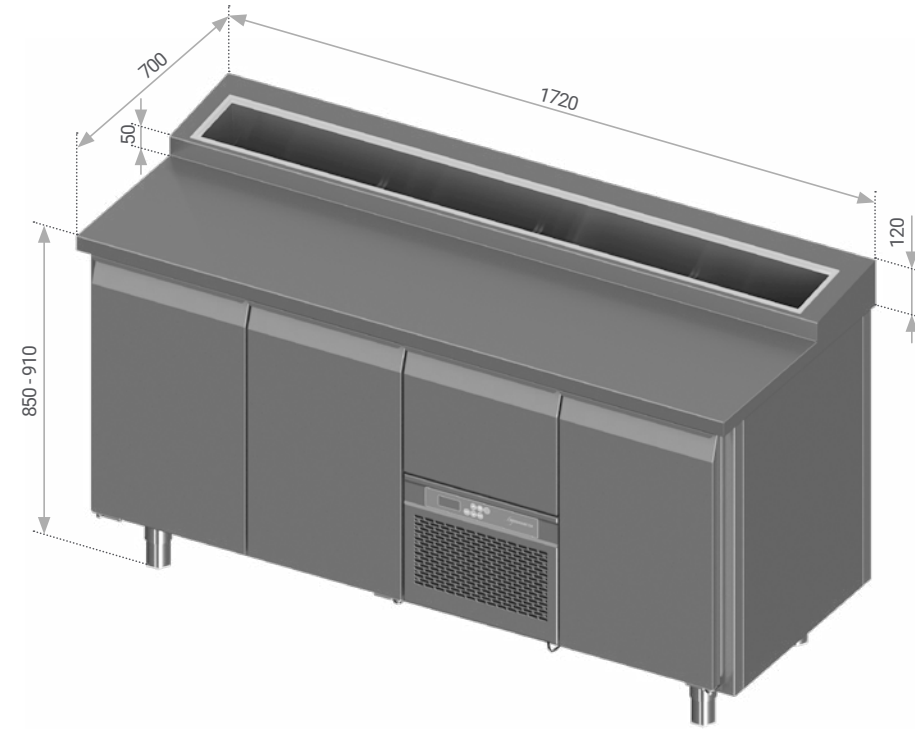
Powder coated exterior
Code: Z-FS0-COLOUR
Price: 987 €
Note: non-standard colours may affect price and production time



Central cooling
Code: FS0-C000
Price: Free of charge
Note: only for +2 ... +8 °C



Extended warranty (covers replacing faulty parts)
Code: Z-SERVICE
Price/yr: +6%



ASK YOUR PROJECT
MANAGER FOR
R290

More technical information on page 9.52 - 9.61.
Different dimensions and configurations are available on request. Examples on page 9.62.



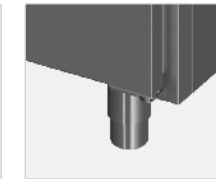
Model	Price, €	Volume, l	GN containers	Temperature, °C	Input	Power	Layout
FS0-P303-172/70/90	2512	508	10 GN1/6	+2 ... +8	2,1 A	480 W	
FS0-P303-172/70/90	2774	508	10 GN1/6	-5 ... +5	2,5 A	575 W	
FS0-P303-172/70/90	2774	508	10 GN1/6	-5 ... +8 R290	2,8 A	293 W	
FS0-P313-172/70/90	3205	508	10 GN1/6	+2 ... +8	2,1 A	480 W	
FS0-P313-172/70/90	3467	508	10 GN1/6	-5 ... +5	2,5 A	575 W	
FS0-P313-172/70/90	3467	508	10 GN1/6	-5 ... +8 R290	2,8 A	293 W	
FS0-P323-172/70/90	3551	508	10 GN1/6	+2 ... +8	2,1 A	480 W	
FS0-P323-172/70/90	3814	508	10 GN1/6	-5 ... +5	2,5 A	575 W	
FS0-P323-172/70/90	3814	508	10 GN1/6	-5 ... +8 R290	2,8 A	293 W	
FS0-P332-172/70/90	2743	508	10 GN1/6	+2 ... +8	2,1 A	480 W	
FS0-P332-172/70/90	3005	508	10 GN1/6	-5 ... +5	2,5 A	575 W	
FS0-P332-172/70/90	3005	508	10 GN1/6	-5 ... +8 R290	2,8 A	293 W	
FS0-P335-172/70/90	2974	508	10 GN1/6	+2 ... +8	2,1 A	480 W	
FS0-P335-172/70/90	3236	508	10 GN1/6	-5 ... +5	2,5 A	575 W	
FS0-P335-172/70/90	3236	508	10 GN1/6	-5 ... +8 R290	2,8 A	293 W	
FS0-P342-172/70/90	2858	508	10 GN1/6	+2 ... +8	2,1 A	480 W	
FS0-P342-172/70/90	3121	508	10 GN1/6	-5 ... +5	2,5 A	575 W	
FS0-P342-172/70/90	3121	508	10 GN1/6	-5 ... +8 R290	2,8 A	293 W	
FS0-P345-172/70/90	3205	508	10 GN1/6	+2 ... +8	2,1 A	480 W	
FS0-P345-172/70/90	3467	508	10 GN1/6	-5 ... +5	2,5 A	575 W	
FS0-P345-172/70/90	3467	508	10 GN1/6	-5 ... +8 R290	2,8 A	293 W	

STANDARD FEATURES

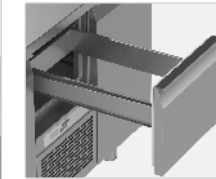
DESIGNED FOR GN 1/3 OR 1/6 CONTAINERS



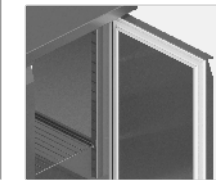
GN containers are not included



Adjustable heavy duty stainless steel feet (amplitude 60 mm +10/-50)



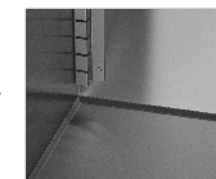
Drawers with 110% extending stainless steel telescopic rails (sizes on page 9.59)



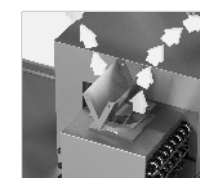
Self-closing door with 50 mm thick insulation. Section with doors equipped with 1 stainless steel grid



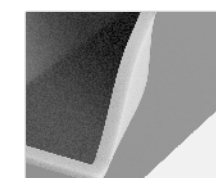
Easy-to-clean digital controller with temperature display



All inside corners are rounded for easy cleaning

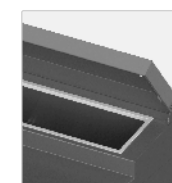


Uniform distribution of cold, automatic defrost and evaporation of condensate

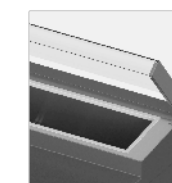


Efficient thermal insulation, low energy consumption

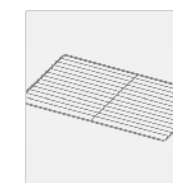
OPTIONAL FEATURES



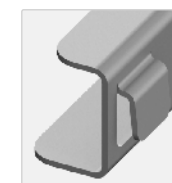
Stainless steel lid
Code: FS0-000-12.60 SB
Price: 52 €



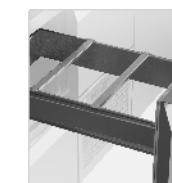
Acrylic glass lid
Code: FS0-000-12.70 SB
Price: 120 €



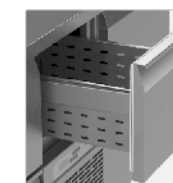
Extra stainless steel grid
Code: K-DMLG-530x325
Price/pc: 32 €



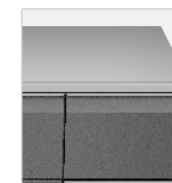
Extra stainless steel guide
Code: F00-010-20.10
Price/pc: 12 €



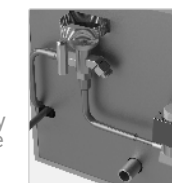
Removable drawer dividers for GN (1/3, 1/6, 1/9, 2/3), 2 pcs.
Code: A-F-SSGN
Price: 15 €



Perforated drawer insert
All options on page 9.59



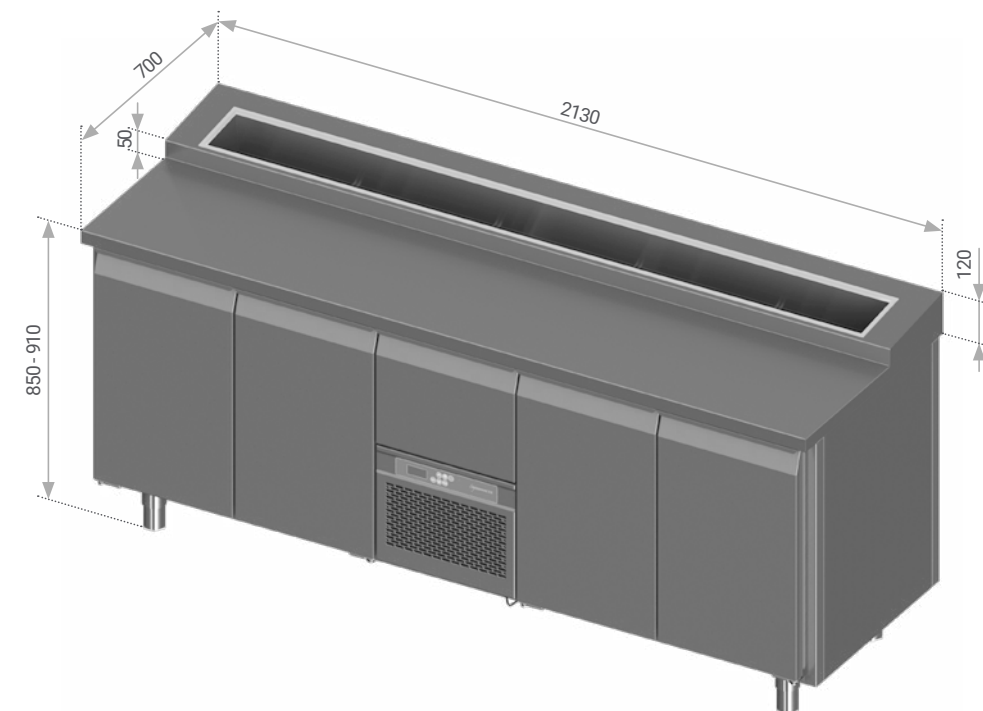
Powder coated exterior
Code: Z-FS0-COLOUR
Price: 987 €
Note: non-standard colours may affect price and production time



Central cooling
Code: FS0-C000
Price: Free of charge
Note: only for +2 ... +8 °C



Extended warranty (covers replacing faulty parts)
Code: Z-SERVICE
Price/yr: +6%



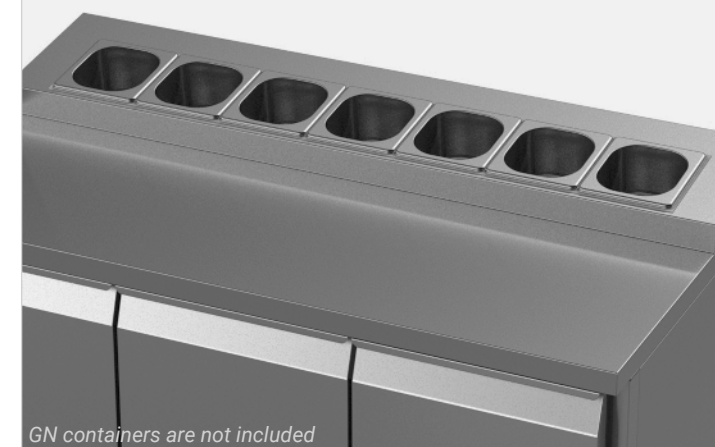
ASK YOUR PROJECT
MANAGER FOR
R290

More technical information on page 9.52 - 9.61.
Different dimensions and configurations are available on request. Examples on page 9.62.



Model	Price, €	Volume, l	GN containers	Temperature, °C	Input	Power	Layout
FS0-P404-213/70/90	3083	655	12 GN1/6	+2 ... +8	2,1 A	480 W	
FS0-P404-213/70/90	3345	655	12 GN1/6	-5 ... +5	2,5 A	575 W	
FS0-P404-213/70/90	3345	655	12 GN1/6	-5 ... +8 R290	2,8 A	293 W	
FS0-P414-213/70/90	4007	655	12 GN1/6	+2 ... +8	2,1 A	480 W	
FS0-P414-213/70/90	4269	655	12 GN1/6	-5 ... +5	2,5 A	575 W	
FS0-P414-213/70/90	4269	655	12 GN1/6	-5 ... +8 R290	2,8 A	293 W	
FS0-P424-213/70/90	4469	655	12 GN1/6	+2 ... +8	2,1 A	480 W	
FS0-P424-213/70/90	4731	655	12 GN1/6	-5 ... +5	2,5 A	575 W	
FS0-P424-213/70/90	4731	655	12 GN1/6	-5 ... +8 R290	2,8 A	293 W	
FS0-P433-213/70/90	3314	655	12 GN1/6	+2 ... +8	2,1 A	480 W	
FS0-P433-213/70/90	3576	655	12 GN1/6	-5 ... +5	2,5 A	575 W	
FS0-P433-213/70/90	3576	655	12 GN1/6	-5 ... +8 R290	2,8 A	293 W	
FS0-P434-213/70/90	3314	655	12 GN1/6	+2 ... +8	2,1 A	480 W	
FS0-P434-213/70/90	3576	655	12 GN1/6	-5 ... +5	2,5 A	575 W	
FS0-P434-213/70/90	3576	655	12 GN1/6	-5 ... +8 R290	2,8 A	293 W	
FS0-P436-213/70/90	3545	655	12 GN1/6	+2 ... +8	2,1 A	480 W	
FS0-P436-213/70/90	3807	655	12 GN1/6	-5 ... +5	2,5 A	575 W	
FS0-P436-213/70/90	3807	655	12 GN1/6	-5 ... +8 R290	2,8 A	293 W	
FS0-P437-213/70/90	3545	655	12 GN1/6	+2 ... +8	2,1 A	480 W	
FS0-P437-213/70/90	3807	655	12 GN1/6	-5 ... +5	2,5 A	575 W	
FS0-P437-213/70/90	3807	655	12 GN1/6	-5 ... +8 R290	2,8 A	293 W	
FS0-P438-213/70/90	3776	655	12 GN1/6	+2 ... +8	2,1 A	480 W	
FS0-P438-213/70/90	4038	655	12 GN1/6	-5 ... +5	2,5 A	575 W	
FS0-P438-213/70/90	4038	655	12 GN1/6	-5 ... +8 R290	2,8 A	293 W	
FS0-P439-213/70/90	3776	655	12 GN1/6	+2 ... +8	2,1 A	480 W	
FS0-P439-213/70/90	4038	655	12 GN1/6	-5 ... +5	2,5 A	575 W	
FS0-P439-213/70/90	4038	655	12 GN1/6	-5 ... +8 R290	2,8 A	293 W	
FS0-P443-213/70/90	3429	655	12 GN1/6	+2 ... +8	2,1 A	480 W	
FS0-P443-213/70/90	3692	655	12 GN1/6	-5 ... +5	2,5 A	575 W	
FS0-P443-213/70/90	3692	655	12 GN1/6	-5 ... +8 R290	2,8 A	293 W	
FS0-P444-213/70/90	3429	655	12 GN1/6	+2 ... +8	2,1 A	480 W	
FS0-P444-213/70/90	3692	655	12 GN1/6	-5 ... +5	2,5 A	575 W	
FS0-P444-213/70/90	3692	655	12 GN1/6	-5 ... +8 R290	2,8 A	293 W	
FS0-P446-213/70/90	3776	655	12 GN1/6	+2 ... +8	2,1 A	480 W	
FS0-P446-213/70/90	4038	655	12 GN1/6	-5 ... +5	2,5 A	575 W	
FS0-P446-213/70/90	4038	655	12 GN1/6	-5 ... +8 R290	2,8 A	293 W	
FS0-P447-213/70/90	3776	655	12 GN1/6	+2 ... +8	2,1 A	480 W	
FS0-P447-213/70/90	4038	655	12 GN1/6	-5 ... +5	2,5 A	575 W	
FS0-P447-213/70/90	4038	655	12 GN1/6	-5 ... +8 R290	2,8 A	293 W	
FS0-P448-213/70/90	4122	655	12 GN1/6	+2 ... +8	2,1 A	480 W	
FS0-P448-213/70/90	4385	655	12 GN1/6	-5 ... +5	2,5 A	575 W	
FS0-P448-213/70/90	4385	655	12 GN1/6	-5 ... +8 R290	2,8 A	293 W	
FS0-P449-213/70/90	4122	655	12 GN1/6	+2 ... +8	2,1 A	480 W	
FS0-P449-213/70/90	4385	655	12 GN1/6	-5 ... +5	2,5 A	575 W	
FS0-P449-213/70/90	4385	655	12 GN1/6	-5 ... +8 R290	2,8 A	293 W	

DESIGNED FOR GN 1/3 OR 1/6 CONTAINERS



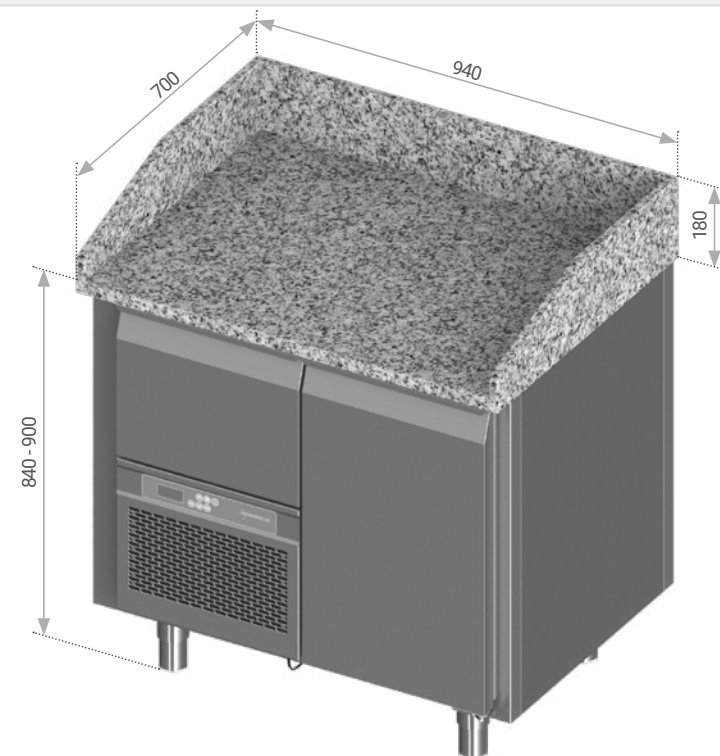
GN containers are not included

STANDARD FEATURES

- Adjustable heavy duty stainless steel feet (amplitude 60 mm +10/-50)
- Drawers with 110% extending stainless steel telescopic rails (sizes on page 9.59)
- Self-closing door with 50 mm thick insulation. Section with doors equipped with 1 stainless steel grid
- Easy-to-clean digital controller with temperature display
- All inside corners are rounded for easy cleaning
- Uniform distribution of cold, automatic defrost and evaporation of condensate
- Efficient thermal insulation, low energy consumption

OPTIONAL FEATURES

- Stainless steel lid**
Code: FS0-000-12.60 SB
Price: 58 €
- Acrylic glass lid**
Code: FS0-000-12.70 SB
Price: 175 €
Note: lid made from 2 parts.
- Extra stainless steel grid**
Code: K-DMLG-530x325
Price/pc: 32 €
- Extra stainless steel guide**
Code: F00-010-20.10
Price/pc: 12 €
- Removable drawer dividers for GN (1/3, 1/6, 1/9, 2/3), 2 pcs.**
Code: A-F-SSGN
Price: 15 €
- Perforated drawer insert**
All options on page 9.59
- Powder coated exterior**
Code: Z-FS0-COLOUR
Price: 987 €
Note: non-standard colours may affect price and production time
- Central cooling**
Code: FS0-C000
Price: Free of charge
Note: only for +2 ... +8 °C
- EXTENDED WARRANTY**
Code: Z-SERVICE
Price/yr: +6%



ASK YOUR PROJECT
MANAGER FOR
R290

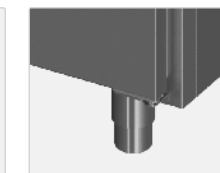
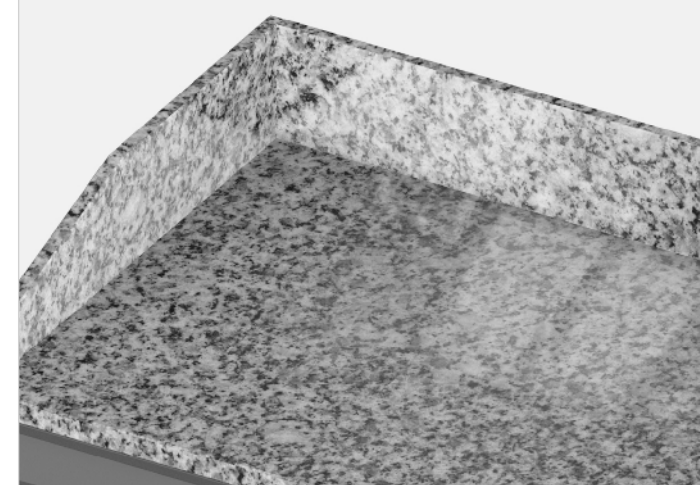
*More technical information on page 9.52 - 9.61.
Different dimensions and configurations are available on request. Examples on page 9.62.*



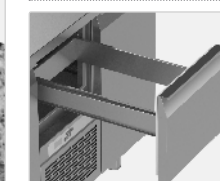
Model	Price, €	Volume, l	Temperature, °C	Input	Power	Layout
FM0-P101-94/70/90	2367	232	+2 ... +8	1,8 A	410 W	
FM0-P101-94/70/90	2629	232	-5 ... +5	1,8 A	410 W	
FM0-P101-94/70/90	2944	232	-20 ... -18	2,3 A	529 W	
FM0-P101-94/70/90	2629	232	-5 ... +8 R290	2,8 A	293 W	
FM0-P101-94/70/90	2944	232	-20 ... -18 R290	4,1 A	542 W	
FM0-P111-94/70/90	2598	232	+2 ... +8	1,8 A	410 W	
FM0-P111-94/70/90	2860	232	-5 ... +5	1,8 A	410 W	
FM0-P111-94/70/90	3175	232	-20 ... -18	2,3 A	529 W	
FM0-P111-94/70/90	2860	232	-5 ... +8 R290	2,8 A	293 W	
FM0-P111-94/70/90	3175	232	-20 ... -18 R290	4,1 A	542 W	
FM0-P121-94/70/90	2713	232	+2 ... +8	1,8 A	410 W	
FM0-P121-94/70/90	2976	232	-5 ... +5	1,8 A	410 W	
FM0-P121-94/70/90	3291	232	-20 ... -18	2,3 A	529 W	
FM0-P121-94/70/90	2976	232	-5 ... +8 R290	2,8 A	293 W	
FM0-P121-94/70/90	3291	232	-20 ... -18 R290	4,1 A	542 W	

STANDARD FEATURES

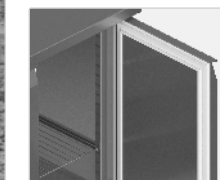
GRANITE (G681) TABLE TOP FOR REFRIGERATED COUNTERTOP DISPLAY



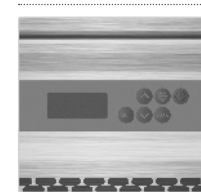
Adjustable heavy duty stainless steel feet (amplitude 60 mm +/-60)



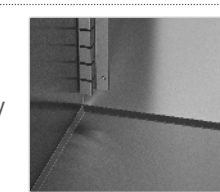
Drawers with 110% extending stainless steel telescopic rails (sizes on page 9.59)



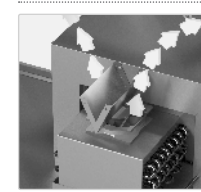
Self-closing door with 50 mm thick insulation. Section with doors equipped with 1 stainless steel grid



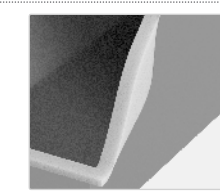
Easy-to-clean digital controller with temperature display



All inside corners are rounded for easy cleaning

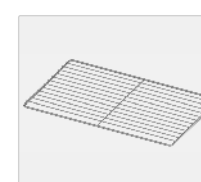


Uniform distribution of cold, automatic defrost and evaporation of condensate

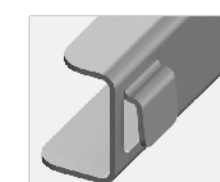


Efficient thermal insulation, low energy consumption

OPTIONAL FEATURES



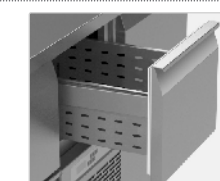
Extra stainless steel grid
Code: K-DMLG-530x325
Price/pc: 32 €



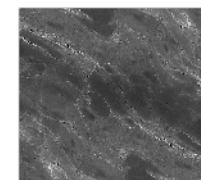
Extra stainless steel guide
Code: F00-010-20.10
Price/pc: 12 €



Removable drawer dividers for GN (1/3, 1/6, 1/9, 2/3), 2 pcs.
Code: A-F-SSGN
Price: 15 €



Perforated drawer insert
All options on page 9.59



Non standard stone table top
Code: Z-STONE
Price: Ask for price



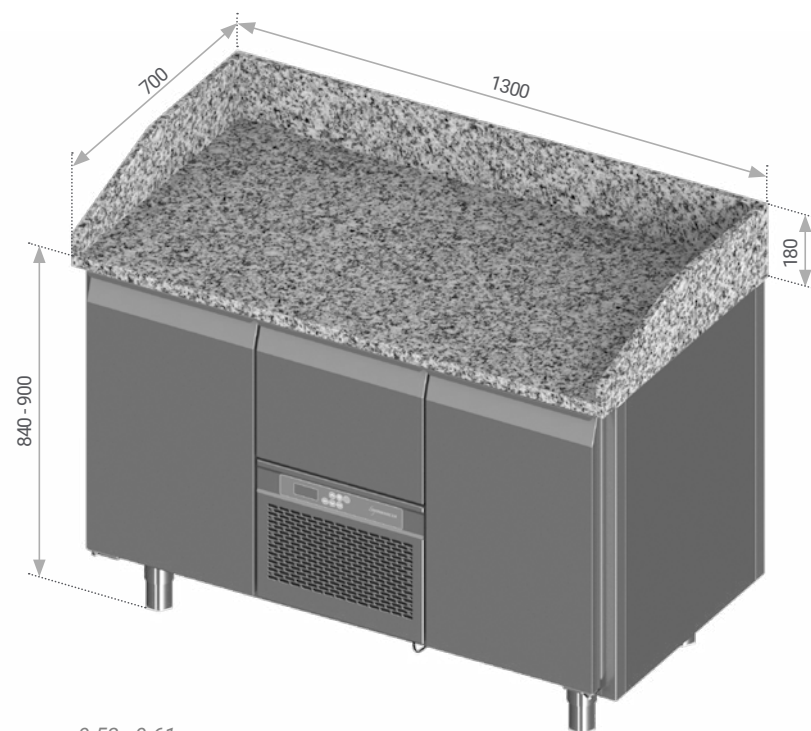
Powder coated exterior
Code: Z-FM0-COLOUR
Price: 987 €
Note: non-standard colours may affect price and production time



Central cooling
Code: FM0-C000
Price: Free of charge
Note: only for +2 ... +8 °C



Extended warranty (covers replacing faulty parts)
Code: Z-SERVICE
Price/yr: +6%



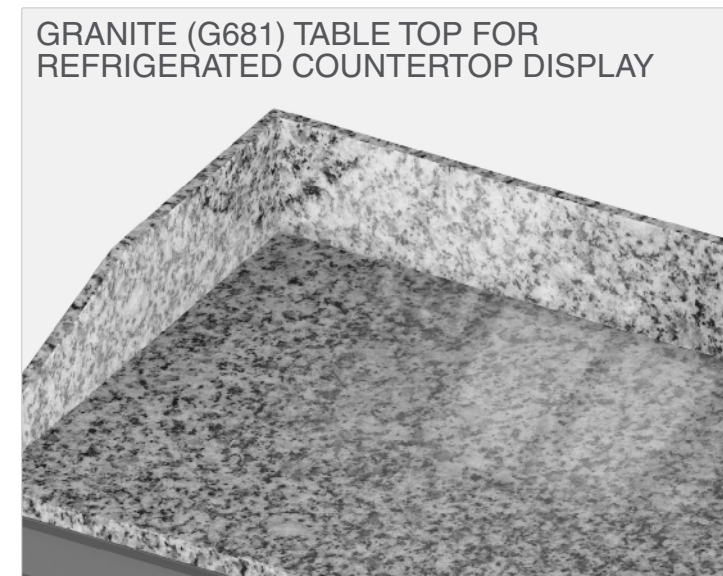
ASK YOUR PROJECT
MANAGER FOR
R290

More technical information on page 9.52 - 9.61.
Different dimensions and configurations are available on request. Examples on page 9.62.

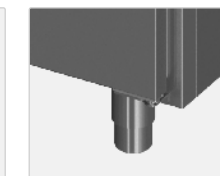


Model	Price, €	Volume, l	Temperature, °C	Input	Power	Layout
FMO-P202-130/70/90	2744	361	+2 ... +8	1,8 A	410 W	
FMO-P202-130/70/90	3006	361	-5 ... +5	1,8 A	410 W	
FMO-P202-130/70/90	3321	361	-20 ... -18	2,3 A	529 W	
FMO-P202-130/70/90	3006	361	-5 ... +8 R290	2,8 A	293 W	
FMO-P202-130/70/90	3321	361	-20 ... -18 R290	4,1 A	542 W	
FMO-P212-130/70/90	3206	361	+2 ... +8	1,8 A	410 W	
FMO-P212-130/70/90	3468	361	-5 ... +5	1,8 A	410 W	
FMO-P212-130/70/90	3783	361	-20 ... -18	2,3 A	529 W	
FMO-P212-130/70/90	3468	361	-5 ... +8 R290	2,8 A	293 W	
FMO-P212-130/70/90	3783	361	-20 ... -18 R290	4,1 A	542 W	
FMO-P222-130/70/90	3437	361	+2 ... +8	1,8 A	410 W	
FMO-P222-130/70/90	3699	361	-5 ... +5	1,8 A	410 W	
FMO-P222-130/70/90	4014	361	-20 ... -18	2,3 A	529 W	
FMO-P222-130/70/90	3699	361	-5 ... +8 R290	2,8 A	293 W	
FMO-P222-130/70/90	4014	361	-20 ... -18 R290	4,1 A	542 W	
FMO-P230-130/70/90	2975	361	+2 ... +8	1,8 A	410 W	
FMO-P230-130/70/90	3237	361	-5 ... +5	1,8 A	410 W	
FMO-P230-130/70/90	3552	361	-20 ... -18	2,3 A	529 W	
FMO-P230-130/70/90	3237	361	-5 ... +8 R290	2,8 A	293 W	
FMO-P230-130/70/90	3552	361	-20 ... -18 R290	4,1 A	542 W	
FMO-P231-130/70/90	2975	361	+2 ... +8	1,8 A	410 W	
FMO-P231-130/70/90	3237	361	-5 ... +5	1,8 A	410 W	
FMO-P231-130/70/90	3552	361	-20 ... -18	2,3 A	529 W	
FMO-P231-130/70/90	3237	361	-5 ... +8 R290	2,8 A	293 W	
FMO-P231-130/70/90	3552	361	-20 ... -18 R290	4,1 A	542 W	
FMO-P240-130/70/90	3090	361	+2 ... +8	1,8 A	410 W	
FMO-P240-130/70/90	3353	361	-5 ... +5	1,8 A	410 W	
FMO-P240-130/70/90	3668	361	-20 ... -18	2,3 A	529 W	
FMO-P240-130/70/90	3353	361	-5 ... +8 R290	2,8 A	293 W	
FMO-P240-130/70/90	3668	361	-20 ... -18 R290	4,1 A	542 W	
FMO-P241-130/70/90	3090	361	+2 ... +8	1,8 A	410 W	
FMO-P241-130/70/90	3353	361	-5 ... +5	1,8 A	410 W	
FMO-P241-130/70/90	3668	361	-20 ... -18	2,3 A	529 W	
FMO-P241-130/70/90	3353	361	-5 ... +8 R290	2,8 A	293 W	
FMO-P241-130/70/90	3668	361	-20 ... -18 R290	4,1 A	542 W	

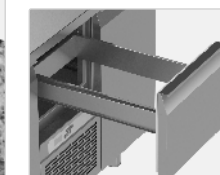
STANDARD FEATURES



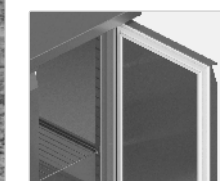
GRANITE (G681) TABLE TOP FOR REFRIGERATED COUNTERTOP DISPLAY



Adjustable heavy duty stainless steel feet (amplitude 60 mm +0/-60)



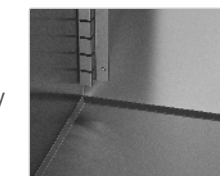
Drawers with 110% extending stainless steel telescopic rails (sizes on page 9.59)



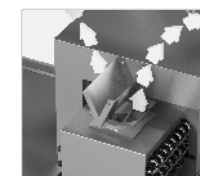
Self-closing door with 50 mm thick insulation. Section with doors equipped with 1 stainless steel grid



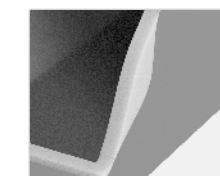
Easy-to-clean digital controller with temperature display



All inside corners are rounded for easy cleaning

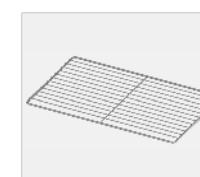


Uniform distribution of cold, automatic defrost and evaporation of condensate

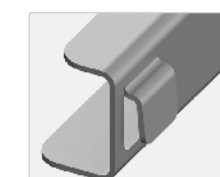


Efficient thermal insulation, low energy consumption

OPTIONAL FEATURES



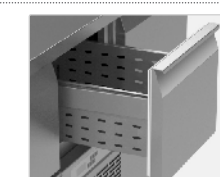
Extra stainless steel grid
Code: K-DMLG-530x325
Price/pc: 32 €



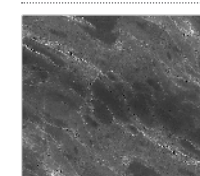
Extra stainless steel guide
Code: F00-010-20.10
Price/pc: 12 €



Removable drawer dividers for GN (1/3, 1/6, 1/9, 2/3), 2 pcs.
Code: A-F-SSGN
Price: 15 €



Perforated drawer insert
All options on page 9.59



Non standard stone table top
Code: Z-STONE
Price: Ask for price



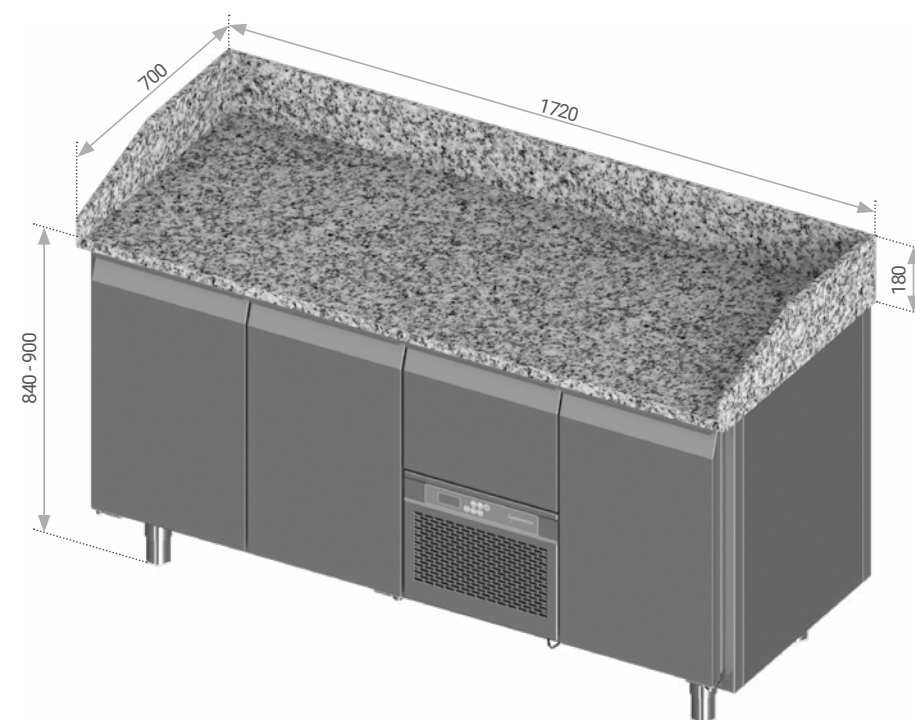
Powder coated exterior
Code: Z-FM0-COLOUR
Price: 987 €
Note: non-standard colours may affect price and production time



Central cooling
Code: FM0-C000
Price: Free of charge
Note: only for +2 ... +8 °C



Extended warranty (covers replacing faulty parts)
Code: Z-SERVICE
Price/yr: +6%



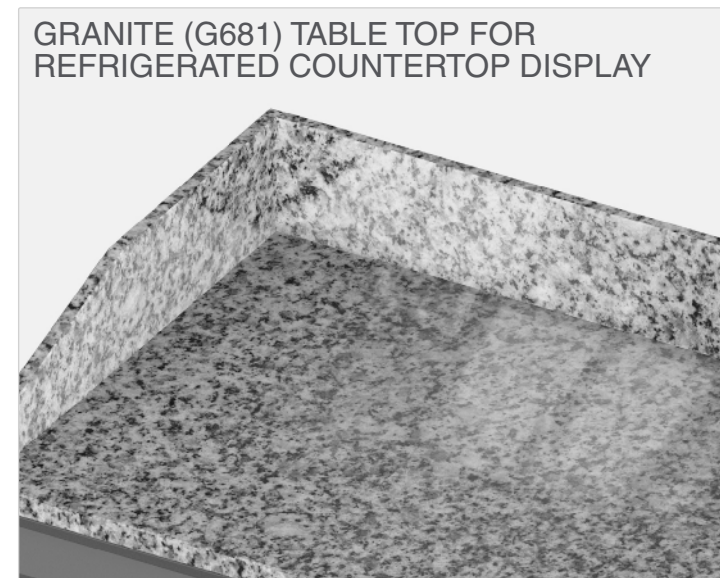
ASK YOUR PROJECT
MANAGER FOR
R290

More technical information on page 9.52 - 9.61.
Different dimensions and configurations are available on request. Examples on page 9.62.

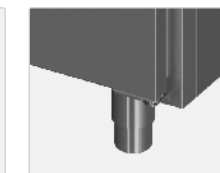


Model	Price, €	Volume, l	Temperature, °C	Input	Power	Layout
FMO-P303-172/70/90	3172	508	+2 ... +8	2,1 A	480 W	
FMO-P303-172/70/90	3435	508	-5 ... +5	2,5 A	575 W	
FMO-P303-172/70/90	3435	508	-5 ... +8 R290	2,8 A	293 W	
FMO-P313-172/70/90	3865	508	+2 ... +8	2,1 A	480 W	
FMO-P313-172/70/90	4128	508	-5 ... +5	2,5 A	575 W	
FMO-P313-172/70/90	4128	508	-5 ... +8 R290	2,8 A	293 W	
FMO-P323-172/70/90	4212	508	+2 ... +8	2,1 A	480 W	
FMO-P323-172/70/90	4474	508	-5 ... +5	2,5 A	575 W	
FMO-P323-172/70/90	4474	508	-5 ... +8 R290	2,8 A	293 W	
FMO-P332-172/70/90	3403	508	+2 ... +8	2,1 A	480 W	
FMO-P332-172/70/90	3666	508	-5 ... +5	2,5 A	575 W	
FMO-P332-172/70/90	3666	508	-5 ... +8 R290	2,8 A	293 W	
FMO-P335-172/70/90	3634	508	+2 ... +8	2,1 A	480 W	
FMO-P335-172/70/90	3897	508	-5 ... +5	2,5 A	575 W	
FMO-P335-172/70/90	3897	508	-5 ... +8 R290	2,8 A	293 W	
FMO-P342-172/70/90	3519	508	+2 ... +8	2,1 A	480 W	
FMO-P342-172/70/90	3781	508	-5 ... +5	2,5 A	575 W	
FMO-P342-172/70/90	3781	508	-5 ... +8 R290	2,8 A	293 W	
FMO-P345-172/70/90	3865	508	+2 ... +8	2,1 A	480 W	
FMO-P345-172/70/90	4128	508	-5 ... +5	2,5 A	575 W	
FMO-P345-172/70/90	4128	508	-5 ... +8 R290	2,8 A	293 W	

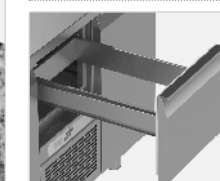
STANDARD FEATURES



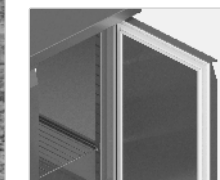
GRANITE (G681) TABLE TOP FOR REFRIGERATED COUNTERTOP DISPLAY



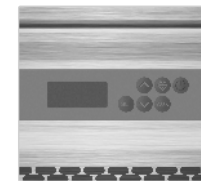
Adjustable heavy duty stainless steel feet (amplitude 60 mm +/-60)



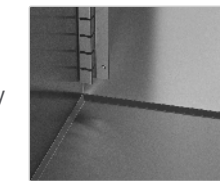
Drawers with 110% extending stainless steel telescopic rails (sizes on page 9.59)



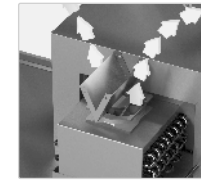
Self-closing door with 50 mm thick insulation. Section with doors equipped with 1 stainless steel grid



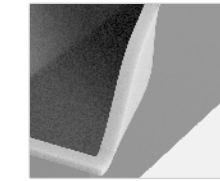
Easy-to-clean digital controller with temperature display



All inside corners are rounded for easy cleaning

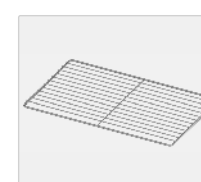


Uniform distribution of cold, automatic defrost and evaporation of condensate

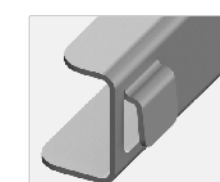


Efficient thermal insulation, low energy consumption

OPTIONAL FEATURES



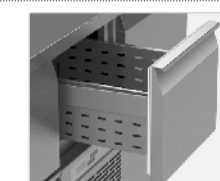
Extra stainless steel grid
Code: K-DMLG-530x325
Price/pc: 32 €



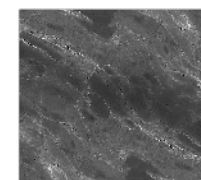
Extra stainless steel guide
Code: F00-010-20.10
Price/pc: 12 €



Removable drawer dividers for GN (1/3, 1/6, 1/9, 2/3), 2 pcs.
Code: A-F-SSGN
Price: 15 €



Perforated drawer insert
All options on page 9.59



Non standard stone table top
Code: Z-STONE
Price: Ask for price



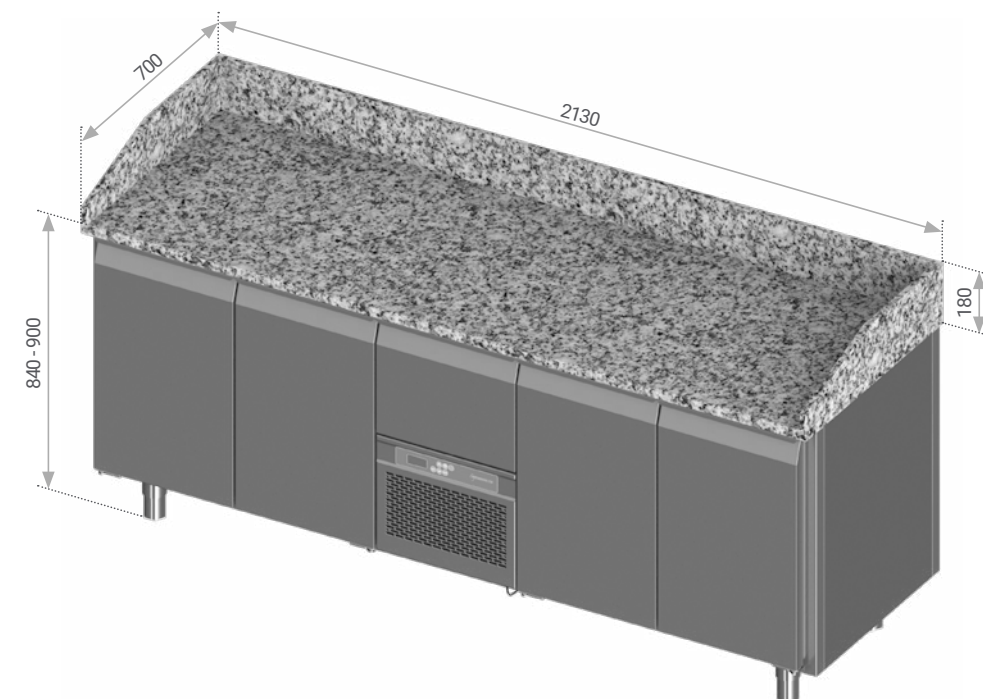
Powder coated exterior
Code: Z-FM0-COLOUR
Price: 987 €
Note: non-standard colours may affect price and production time



Central cooling
Code: FM0-C000
Price: Free of charge
Note: only for +2 ... +8 °C



Extended warranty (covers replacing faulty parts)
Code: Z-SERVICE
Price/yr: +6%



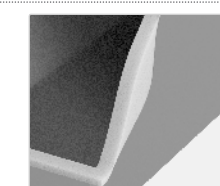
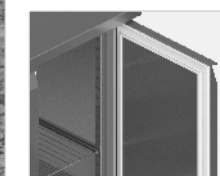
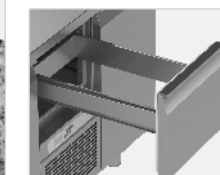
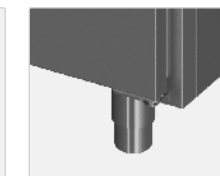
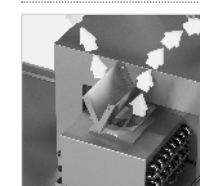
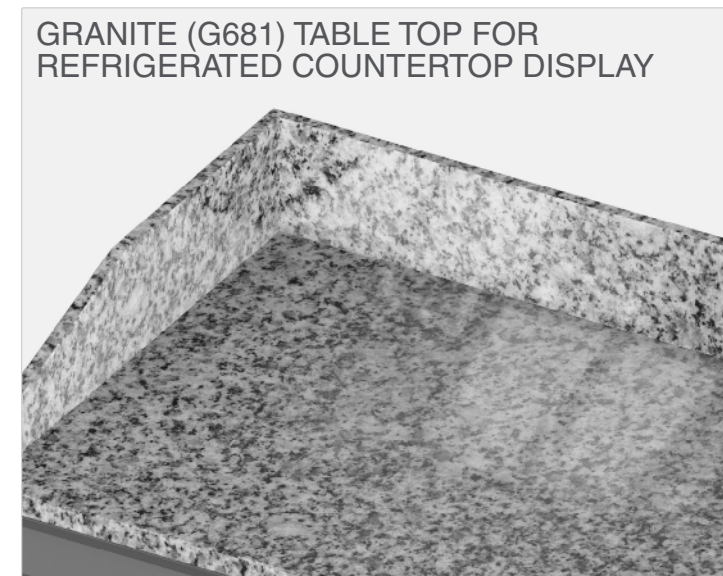
ASK YOUR PROJECT
MANAGER FOR
R290

More technical information on page 9.52 - 9.61.
Different dimensions and configurations are available on request. Examples on page 9.62.



Model	Price, €	Volume, l	Temperature, °C	Input	Power	Layout
FMO-P404-213/70/90	3767	655	+2 ... +8	2,1 A	480 W	
FMO-P404-213/70/90	4030	655	-5 ... +5	2,5 A	575 W	
FMO-P404-213/70/90	4030	655	-5 ... +8 R290	2,8 A	293 W	
FMO-P414-213/70/90	4691	655	+2 ... +8	2,1 A	480 W	
FMO-P414-213/70/90	4954	655	-5 ... +5	2,5 A	575 W	
FMO-P414-213/70/90	4954	655	-5 ... +8 R290	2,8 A	293 W	
FMO-P424-213/70/90	5153	655	+2 ... +8	2,1 A	480 W	
FMO-P424-213/70/90	5416	655	-5 ... +5	2,5 A	575 W	
FMO-P424-213/70/90	5416	655	-5 ... +8 R290	2,8 A	293 W	
FMO-P433-213/70/90	3998	655	+2 ... +8	2,1 A	480 W	
FMO-P433-213/70/90	4261	655	-5 ... +5	2,5 A	575 W	
FMO-P433-213/70/90	4261	655	-5 ... +8 R290	2,8 A	293 W	
FMO-P434-213/70/90	3998	655	+2 ... +8	2,1 A	480 W	
FMO-P434-213/70/90	4261	655	-5 ... +5	2,5 A	575 W	
FMO-P434-213/70/90	4261	655	-5 ... +8 R290	2,8 A	293 W	
FMO-P436-213/70/90	4229	655	+2 ... +8	2,1 A	480 W	
FMO-P436-213/70/90	4492	655	-5 ... +5	2,5 A	575 W	
FMO-P436-213/70/90	4492	655	-5 ... +8 R290	2,8 A	293 W	
FMO-P437-213/70/90	4229	655	+2 ... +8	2,1 A	480 W	
FMO-P437-213/70/90	4492	655	-5 ... +5	2,5 A	575 W	
FMO-P437-213/70/90	4492	655	-5 ... +8 R290	2,8 A	293 W	
FMO-P438-213/70/90	4460	655	+2 ... +8	2,1 A	480 W	
FMO-P438-213/70/90	4723	655	-5 ... +5	2,5 A	575 W	
FMO-P438-213/70/90	4723	655	-5 ... +8 R290	2,8 A	293 W	
FMO-P439-213/70/90	4460	655	+2 ... +8	2,1 A	480 W	
FMO-P439-213/70/90	4723	655	-5 ... +5	2,5 A	575 W	
FMO-P439-213/70/90	4723	655	-5 ... +8 R290	2,8 A	293 W	
FMO-P443-213/70/90	4114	655	+2 ... +8	2,1 A	480 W	
FMO-P443-213/70/90	4376	655	-5 ... +5	2,5 A	575 W	
FMO-P443-213/70/90	4376	655	-5 ... +8 R290	2,8 A	293 W	
FMO-P444-213/70/90	4114	655	+2 ... +8	2,1 A	480 W	
FMO-P444-213/70/90	4376	655	-5 ... +5	2,5 A	575 W	
FMO-P444-213/70/90	4376	655	-5 ... +8 R290	2,8 A	293 W	
FMO-P446-213/70/90	4460	655	+2 ... +8	2,1 A	480 W	
FMO-P446-213/70/90	4723	655	-5 ... +5	2,5 A	575 W	
FMO-P446-213/70/90	4723	655	-5 ... +8 R290	2,8 A	293 W	
FMO-P447-213/70/90	4460	655	+2 ... +8	2,1 A	480 W	
FMO-P447-213/70/90	4723	655	-5 ... +5	2,5 A	575 W	
FMO-P447-213/70/90	4723	655	-5 ... +8 R290	2,8 A	293 W	
FMO-P448-213/70/90	4807	655	+2 ... +8	2,1 A	480 W	
FMO-P448-213/70/90	5069	655	-5 ... +5	2,5 A	575 W	
FMO-P448-213/70/90	5069	655	-5 ... +8 R290	2,8 A	293 W	
FMO-P449-213/70/90	4807	655	+2 ... +8	2,1 A	480 W	
FMO-P449-213/70/90	5069	655	-5 ... +5	2,5 A	575 W	
FMO-P449-213/70/90	5069	655	-5 ... +8 R290	2,8 A	293 W	

STANDARD FEATURES



Adjustable heavy duty stainless steel feet (amplitude 60 mm +0/-60)

Drawers with 110% extending stainless steel telescopic rails (sizes on page 9.59)

Self-closing door with 50 mm thick insulation. Section with doors equipped with 1 stainless steel grid

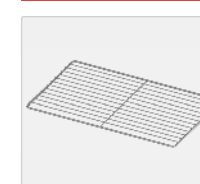
Easy-to-clean digital controller with temperature display

All inside corners are rounded for easy cleaning

Uniform distribution of cold, automatic defrost and evaporation of condensate

Efficient thermal insulation, low energy consumption

OPTIONAL FEATURES



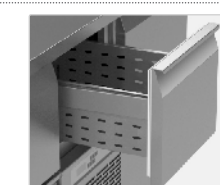
Extra stainless steel grid
Code: K-DMLG-530x325
Price/pc: 32 €



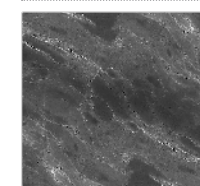
Extra stainless steel guide
Code: F00-010-20.10
Price/pc: 12 €



Removable drawer dividers for GN (1/3, 1/6, 1/9, 2/3), 2 pcs.
Code: A-F-SSGN
Price: 15 €



Perforated drawer insert
All options on page 9.59



Non standard stone table top
Code: Z-STONE
Price: Ask for price



Powder coated exterior
Code: Z-FM0-COLOUR
Price: 987 €
Note: non-standard colours may affect price and production time

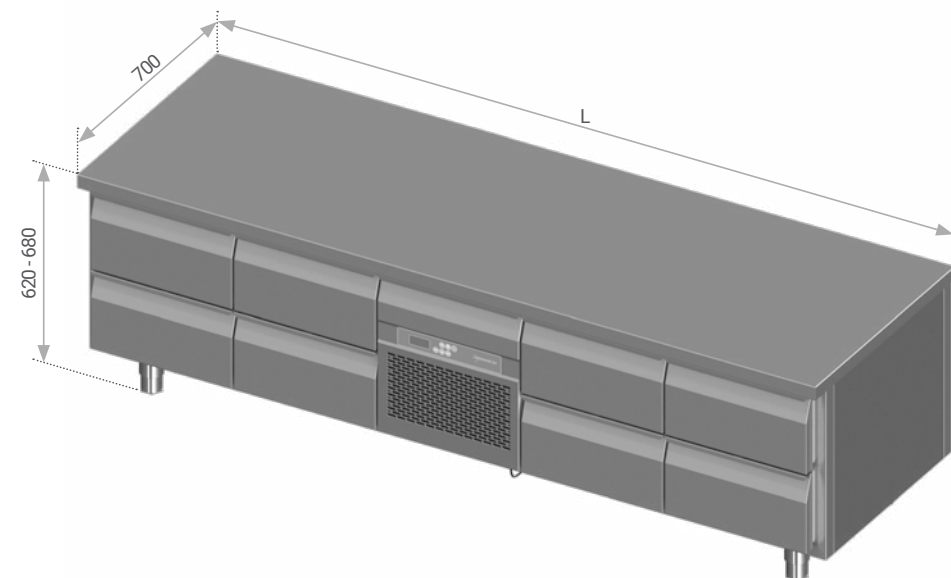


Central cooling
Code: FM0-C000
Price: Free of charge
Note: only for +2 ... +8 °C



Extended warranty (covers replacing faulty parts)
Code: Z-SERVICE
Price/yr: +6%

NEW



ASK YOUR PROJECT
MANAGER FOR
R290

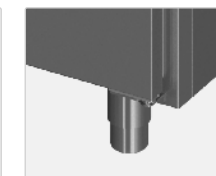
More technical information on page 9.52 - 9.61.
Different dimensions and configurations are available on request. Examples on page 9.62.



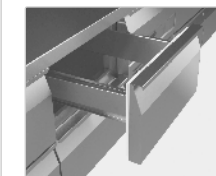
Length L, mm	Model	Price, €	Drawers	Volume, l	Temperature, °C	Input	Power	Layout
940	FP0-P125-94/70/65	1696	2	129	+2 ... +8	1,8 A	410 W	
940	FP0-P125-94/70/65	1958	2	129	-5 ... +5	1,8 A	410 W	
940	FP0-P125-94/70/65	2273	2	129	-20 ... -18	2,3 A	529 W	
940	FP0-P125-94/70/65	1958	2	129	-5 ... +8 R290	2,8 A	293 W	
940	FP0-P125-94/70/65	2273	2	129	-20 ... -18 R290	4,1 A	542 W	
1300	FP0-P226-130/70/65	2137	4	213	+2 ... +8	1,8 A	410 W	
1300	FP0-P226-130/70/65	2340	4	213	-5 ... +5	1,8 A	410 W	
1300	FP0-P226-130/70/65	2714	4	213	-20 ... -18	2,3 A	529 W	
1300	FP0-P226-130/70/65	2340	4	213	-5 ... +8 R290	2,8 A	293 W	
1300	FP0-P226-130/70/65	2714	4	213	-20 ... -18 R290	4,1 A	542 W	
1720	FP0-P327-172/70/65	2578	6	308	+2 ... +8	2,1 A	480 W	
1720	FP0-P327-172/70/65	2840	6	308	-5 ... +5	2,5 A	575 W	
1720	FP0-P327-172/70/65	2840	6	308	-5 ... +8 R290	2,8 A	293 W	
2130	FP0-P428-213/70/65	3229	8	404	+2 ... +8	2,1 A	480 W	
2130	FP0-P428-213/70/65	3491	8	404	-5 ... +5	2,5 A	575 W	
2130	FP0-P428-213/70/65	3491	8	404	-5 ... +8 R290	2,8 A	293 W	

STANDARD FEATURES

DESIGNED TO SUPPORT COOKING EQUIPMENT AT ERGONOMICALLY CONVENIENT LEVEL



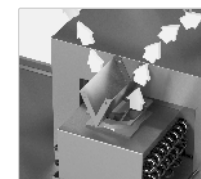
Adjustable heavy duty stainless steel feet (amplitude 60 mm +30/-30)



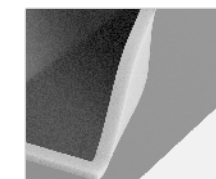
Drawers with 110% extending stainless steel telescopic rails (drawers for GN 1/1-150)



Easy-to-clean digital controller with temperature display

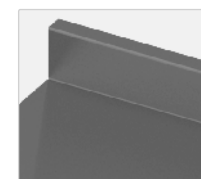


Uniform distribution of cold, automatic defrost and evaporation of condensate



Efficient thermal insulation, low energy consumption

OPTIONAL FEATURES



Upstand for the table top

Code: FP0-D00-12.00 SB
Price: 90 €



Powder coated exterior

Code: Z-FP0-COLOUR
Price: 987 €

Note: non-standard colours may affect price and production time



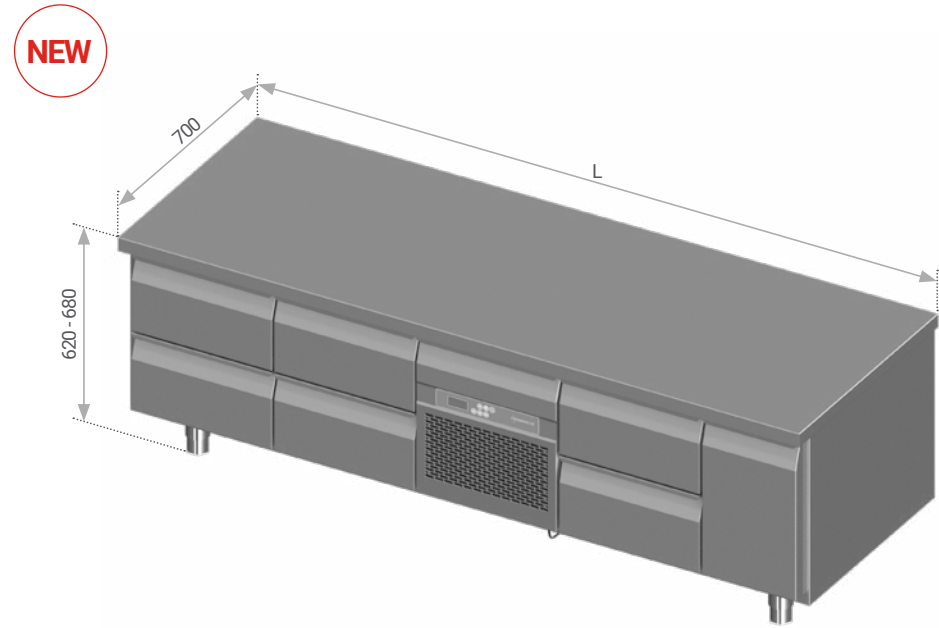
Central cooling

Code: FP0-C000
Price: Free of charge
Note: only for +2 ... +8 °C



Extended warranty (covers replacing faulty parts)

Code: Z-SERVICE
Price/yr: +6%



NEW

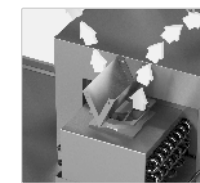
ASK YOUR PROJECT
MANAGER FOR
R290

More technical information on page 9.52 - 9.61.
Different dimensions and configurations are available on request. Examples on page 9.62.

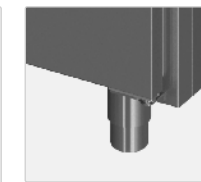


Length L, mm	Model	Price, €	Drawers	Volume, l	Temperature, °C	Input	Power	Layout
1400	FPS-P125-140/70/65	2136	2+1	129 + 107	+2 ... +8	1,8 A	410 W	
1400	FPS-P125-140/70/65	2398	2+1	129 + 107	-5 ... +5	1,8 A	410 W	
1400	FPS-P125-140/70/65	2713	2+1	129 + 107	-20 ... -18	2,3 A	529 W	
1400	FPS-P125-140/70/65	2398	2+1	129 + 107	-5 ... +8 R290	2,8 A	293 W	
1400	FPS-P125-140/70/65	2713	2+1	129 + 107	-20 ... -18 R290	4,1 A	542 W	
1600	FPS-P226-160/70/65	2577	4+1	213 + 66	+2 ... +8	1,8 A	410 W	
1600	FPS-P226-160/70/65	2839	4+1	213 + 66	-5 ... +5	1,8 A	410 W	
1600	FPS-P226-160/70/65	3154	4+1	213 + 66	-20 ... -18	2,3 A	529 W	
1600	FPS-P226-160/70/65	2839	4+1	213 + 66	-5 ... +8 R290	2,8 A	293 W	
1600	FPS-P226-160/70/65	3154	4+1	213 + 66	-20 ... -18 R290	4,1 A	542 W	
2000	FPS-P327-200/70/65	3018	6+1	308 + 60	+2 ... +8	2,1 A	480 W	
2000	FPS-P327-200/70/65	3280	6+1	308 + 60	-5 ... +5	2,5 A	575 W	
2000	FPS-P327-200/70/65	3280	6+1	308 + 60	-5 ... +8 R290	2,8 A	293 W	

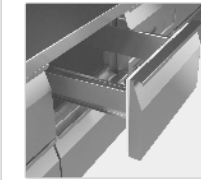
DESIGNED WITH EXTRA NEUTRAL DRAWER FOR STORAGE



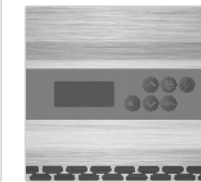
Uniform distribution of cold, automatic defrost and evaporation of condensate



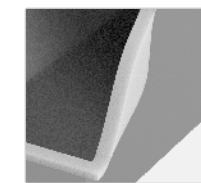
Adjustable heavy duty stainless steel feet (amplitude 60 mm +30/-30)



Drawers with 110% extending stainless steel telescopic rails (drawers for GN 1/1-150)



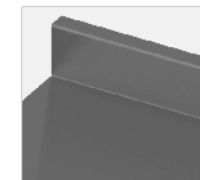
Easy-to-clean digital controller with temperature display



Efficient thermal insulation, low energy consumption

STANDARD FEATURES

OPTIONAL FEATURES



Upstand for the table top

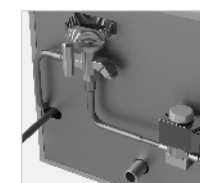
Code: FP0-D00-12.00 SB
Price: 90 €



Powder coated exterior

Code: Z-FP0-COLOUR
Price: 987 €

Note: non-standard colours may affect price and production time



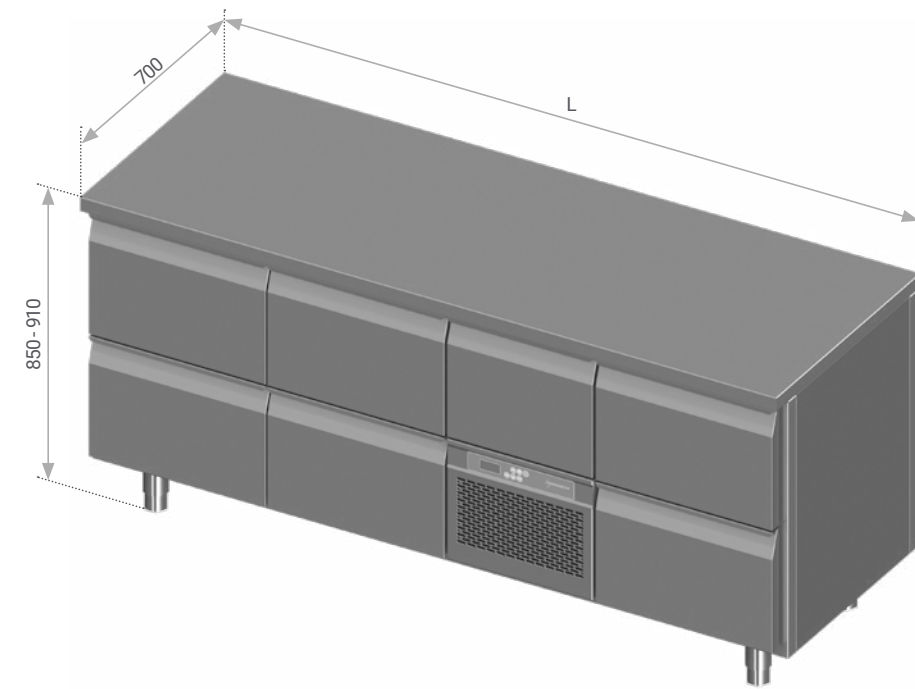
Central cooling

Code: FP0-C000
Price: Free of charge
Note: only for +2 ... +8 °C



Extended warranty (covers replacing faulty parts)

Code: Z-SERVICE
Price/yr: +6%



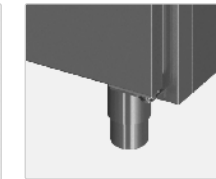
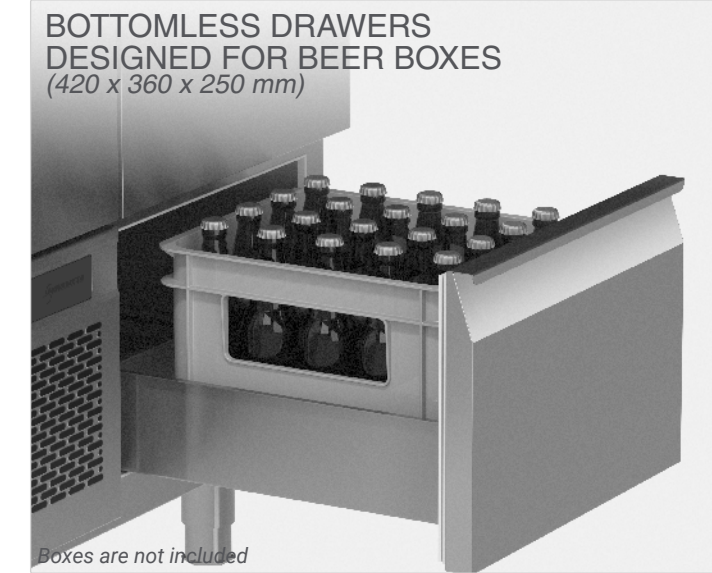
ASK YOUR PROJECT
MANAGER FOR
R290

i More technical information on page 9.52 - 9.61.
Different dimensions and configurations are available on request. Examples on page 9.62.

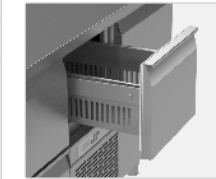


Length L, mm	Model	Price, €	Beer drawers	Volume, l	Temperature, °C	Input	Power	Layout
1010	FP0-P115-101/70/90	2111	2	300	+2 ... +8	1,8 A	410 W	
1010	FP0-P115-101/70/90	2373	2	300	-5 ... +8 R290	2,8 A	293 W	
1460	FP0-P216-146/70/90	2552	4	440	+2 ... +8	1,8 A	410 W	
1460	FP0-P216-146/70/90	2814	4	440	-5 ... +8 R290	2,8 A	293 W	
1960	FP0-P317-196/70/90	2993	6	620	+2 ... +8	2,1 A	480 W	
1960	FP0-P317-196/70/90	3255	6	620	-5 ... +8 R290	2,8 A	293 W	

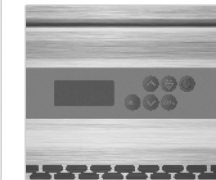
STANDARD FEATURES



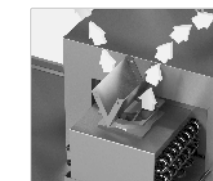
Adjustable heavy duty stainless steel feet (amplitude 60 mm +10/-50)



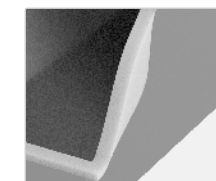
Drawers with 110% extending stainless steel telescopic rails (540 x 305 mm drawer with bottom over monoblock for storages)



Easy-to-clean digital controller with temperature display

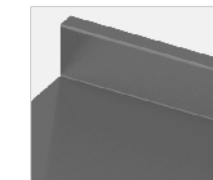


Uniform distribution of cold, automatic defrost and evaporation of condensate

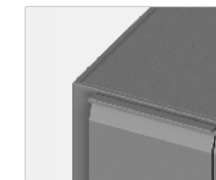


Efficient thermal insulation, low energy consumption

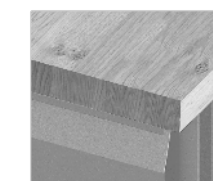
OPTIONAL FEATURES



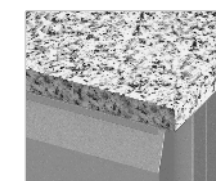
Upstand for the table top
Code: FP0-D00-12.00 SB
Price: 90 €



Without table top
Code: F00-D00-10.00 SB
Price: -37 €



Solid wood table top: 40 mm thickness
All options on page 9.58



Stone table top: 30 mm thickness
All options on page 9.58



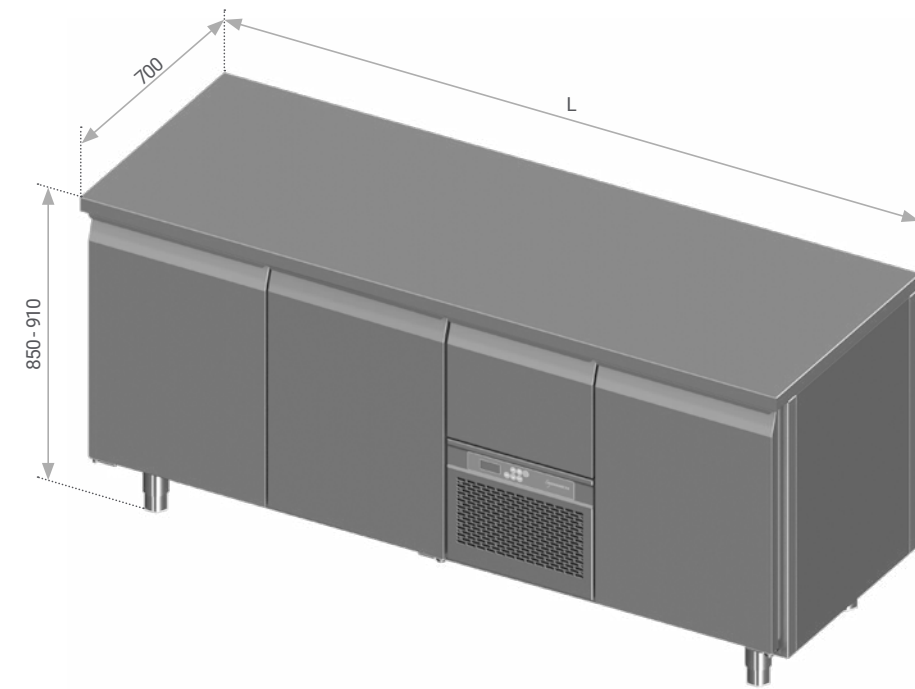
Powder coated exterior
Code: Z-FP0-COLOUR
Price: 987 €
Note: non-standard colours may affect price and production time



Central cooling
Code: FP0-C000
Price: Free of charge
Note: only for +2 ... +8 °C



Extended warranty (covers replacing faulty parts)
Code: Z-SERVICE
Price/yr: +6%



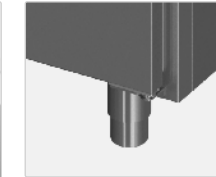
ASK YOUR PROJECT
MANAGER FOR
R290

*More technical information on page 9.52 - 9.61.
Different dimensions and configurations are available on request. Examples on page 9.62.*

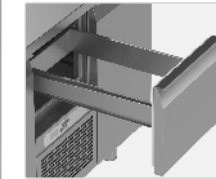


Length L, mm	Model	Price, €	Doors	Volume, l	Temperature, °C	Input	Power	Layout
1010	FP0-P105-101/70/90	1775	1	300	+2 ... +8	1,8 A	410 W	
1010	FP0-P105-101/70/90	2037	1	300	-5 ... +8 R290	2,8 A	293 W	
1460	FP0-P206-146/70/90	1985	2	440	+2 ... +8	1,8 A	410 W	
1460	FP0-P206-146/70/90	2247	2	440	-5 ... +8 R290	2,8 A	293 W	
1960	FP0-P307-196/70/90	2195	3	620	+2 ... +8	2,1 A	480 W	
1960	FP0-P307-196/70/90	2457	3	620	-5 ... +8 R290	2,8 A	293 W	

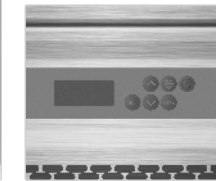
STANDARD FEATURES



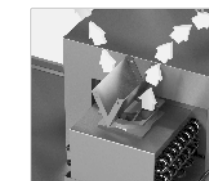
Adjustable heavy duty stainless steel feet (amplitude 60 mm +10/-50)



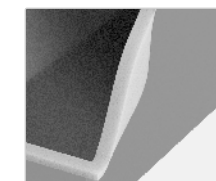
Drawers with 110% extending stainless steel telescopic rails (drawer over monoblock for GN 1/1-200)



Easy-to-clean digital controller with temperature display

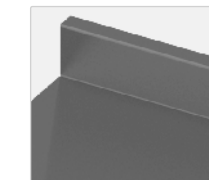


Uniform distribution of cold, automatic defrost and evaporation of condensate



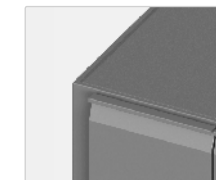
Efficient thermal insulation, low energy consumption

OPTIONAL FEATURES



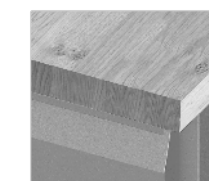
Upstand for the table top

Code: FP0-D00-12.00 SB
Price: 90 €



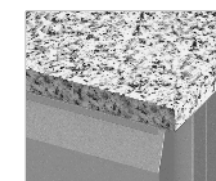
Without table top

Code: F00-D00-10.00 SB
Price: -37 €



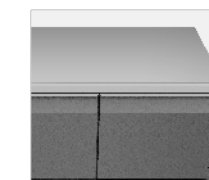
Solid wood table top: 40 mm thickness

All options on page 9.58



Stone table top: 30 mm thickness

All options on page 9.58



Powder coated exterior

Code: Z-FP0-COLOUR
Price: 987 €

Note: non-standard colours may affect price and production time



Central cooling

Code: FP0-C000
Price: Free of charge

Note: only for +2 ... +8 °C



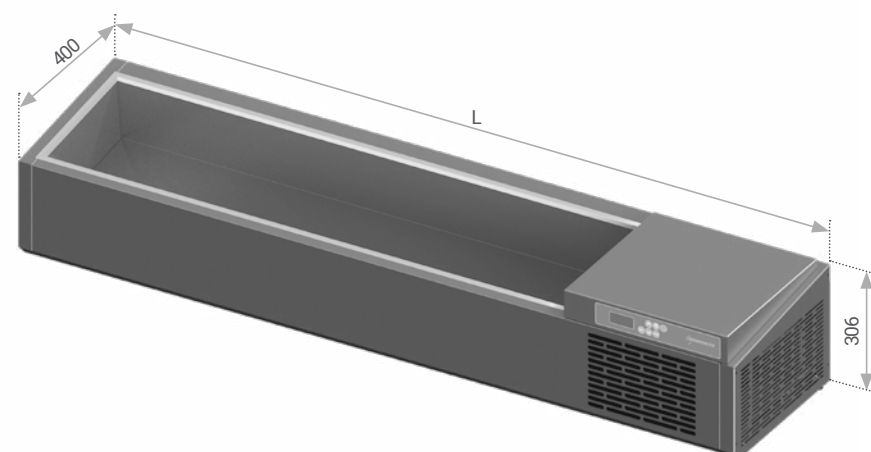
Extra stainless steel guide

Code: F00-D10-20.10
Price/pc: 12 €



Extended warranty (covers replacing faulty parts)

Code: Z-SERVICE
Price/yr: +6%



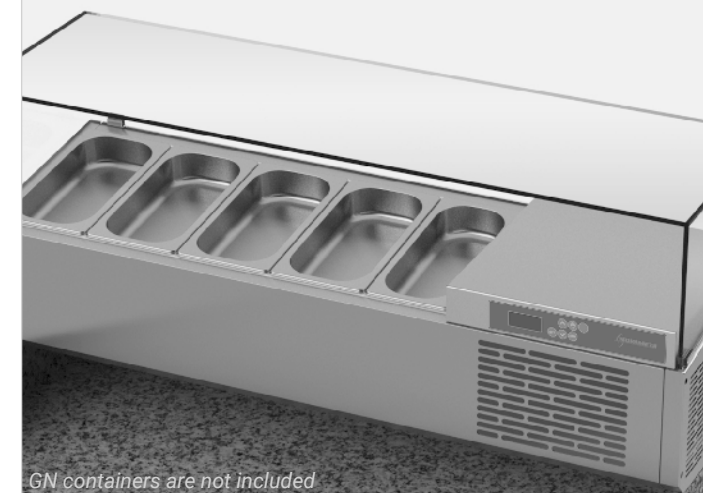
i More technical information on page 9.52 - 9.61.
Different dimensions and configurations are available on request. Examples on page 9.62.



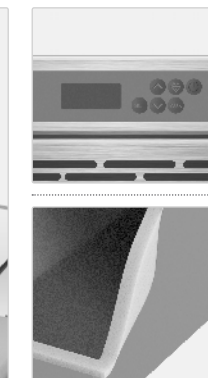
Length L, mm	Model	Price, €	GN containers	Temperature, °C	Input	Power
940	FV0-P1000-94/40/31	972	2 GN 1/3 + 1 GN 2/8	+2 ... +8	1,6 A	370 W
1010	FV0-D1000-100/40/31	980	3 GN 1/3	+2 ... +8	1,6 A	370 W
1300	FV0-P2000-130/40/31	1021	4 GN 1/3 + 1 GN 2/8	+2 ... +8	1,6 A	370 W
1460	FV0-D2000-145/40/31	1041	4 GN 1/3 + 2 GN 2/8	+2 ... +8	1,6 A	370 W
1720	FV0-P3000-172/40/31	1163	5 GN 1/3 + 3 GN 2/8	+2 ... +8	2,3 A	530 W
1960	FV0-D3000-195/40/31	1194	7 GN 1/3 + 2 GN 2/8	+2 ... +8	2,3 A	530 W
2130	FV0-P4000-213/40/31	1218	8 GN 1/3 + 2 GN 2/8	+2 ... +8	2,3 A	530 W

STANDARD FEATURES

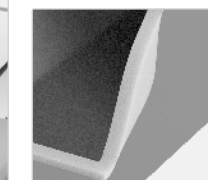
DESIGNED FOR GN 1/3 AND 2/8 CONTAINERS



GN containers are not included

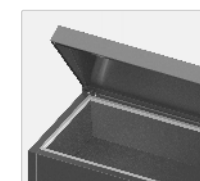


Easy-to-clean digital controller with temperature display



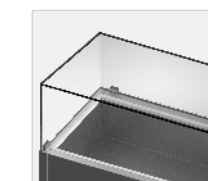
Efficient thermal insulation, low energy consumption

OPTIONAL FEATURES



Stainless steel lid

Code: FV0-010-70.00 SB
Price: +8%



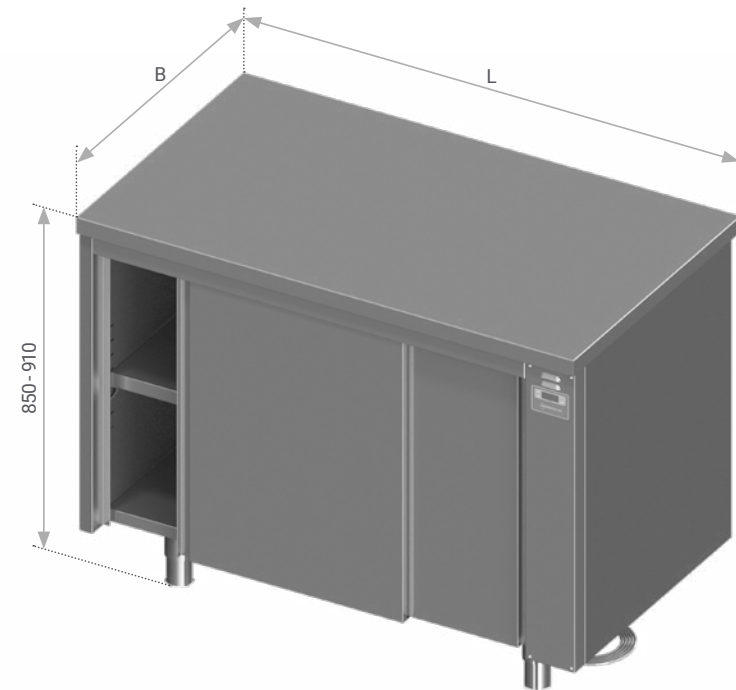
Tempered 8 mm glass sneeze guard

Code: J-BSGS-FV0
Price: +16%



Extended warranty (covers replacing faulty parts)

Code: Z-SERVICE
Price/yr: +6%



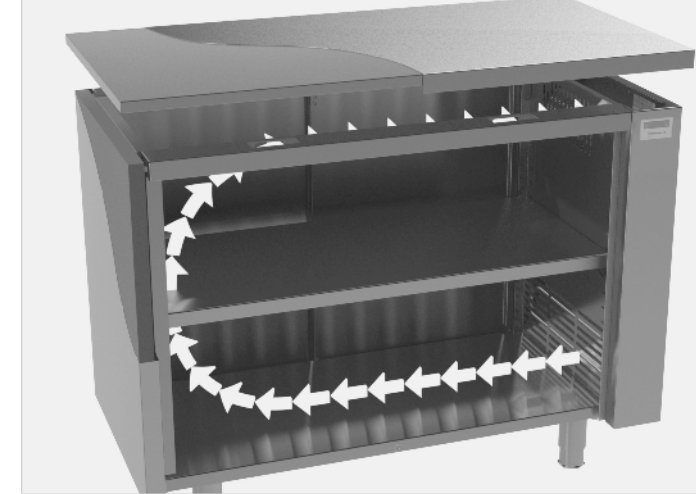
More technical information on page 9.52 - 9.61. Different dimensions and configurations are available on request. Examples on page 9.62.



Length L, mm	Width B, mm						Temperature, °C	Input	Power
	600		650		700				
	Model	Price, €	Model	Price, €	Model	Price, €			
1000	WPO-NLU-100/60/90	1315	WPO-NLU-100/65/90	1390	WPO-NLU-100/70/90	1435	+30 ... +85	9,7 A	2200 W
1100	WPO-NLU-110/60/90	1380	WPO-NLU-110/65/90	1455	WPO-NLU-110/70/90	1505	+30 ... +85	9,7 A	2200 W
1200	WPO-NLU-120/60/90	1440	WPO-NLU-120/65/90	1520	WPO-NLU-120/70/90	1570	+30 ... +85	9,7 A	2200 W
1300	WPO-NLU-130/60/90	1505	WPO-NLU-130/65/90	1585	WPO-NLU-130/70/90	1640	+30 ... +85	9,7 A	2200 W
1400	WPO-NLU-140/60/90	1565	WPO-NLU-140/65/90	1655	WPO-NLU-140/70/90	1705	+30 ... +85	9,7 A	2200 W
1500	WPO-NLU-150/60/90	1630	WPO-NLU-150/65/90	1720	WPO-NLU-150/70/90	1775	+30 ... +85	9,7 A	2200 W
1600	WPO-NLU-160/60/90	1695	WPO-NLU-160/65/90	1785	WPO-NLU-160/70/90	1845	+30 ... +85	9,7 A	2200 W
1700	WPO-NLU-170/60/90	1755	WPO-NLU-170/65/90	1850	WPO-NLU-170/70/90	1910	+30 ... +85	9,7 A	2200 W
1800	WPO-NLU-180/60/90	1820	WPO-NLU-180/65/90	1915	WPO-NLU-180/70/90	1980	+30 ... +85	9,7 A	2200 W
1900	WPO-NLU-190/60/90	1880	WPO-NLU-190/65/90	1980	WPO-NLU-190/70/90	2045	+30 ... +85	9,7 A	2200 W
2000	WPO-NLU-200/60/90	1945	WPO-NLU-200/65/90	2045	WPO-NLU-200/70/90	2115	+30 ... +85	9,7 A	2200 W

STANDARD FEATURES

**UNIFORM HEAT DISTRIBUTION
EFFICIENT THERMAL INSULATION**



Easy-to-clean digital controller with adjustable temperature (+30 ... +85 °C)

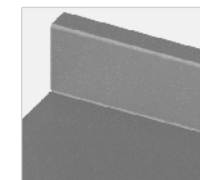


Equipped with adjustable height shelf



Max loading 120 kg/shelf (uniform layout)

OPTIONAL FEATURES



Upstand for the table top

Code: WPO-000-01.20 SB
Price: 90 €



Without table top

Code: W00-000
Price: -2%



With shutting doors

Code: Z-WPO-VLU
Price: +10%



With doors on front and back sides

Code: WPO-NLN
Price: 283 €



Additional shelf

Code: W00-0L0-02.00 SB
Price: +6%



Stone table top: 30 mm thickness

All options on page 9.58



Powder coated exterior

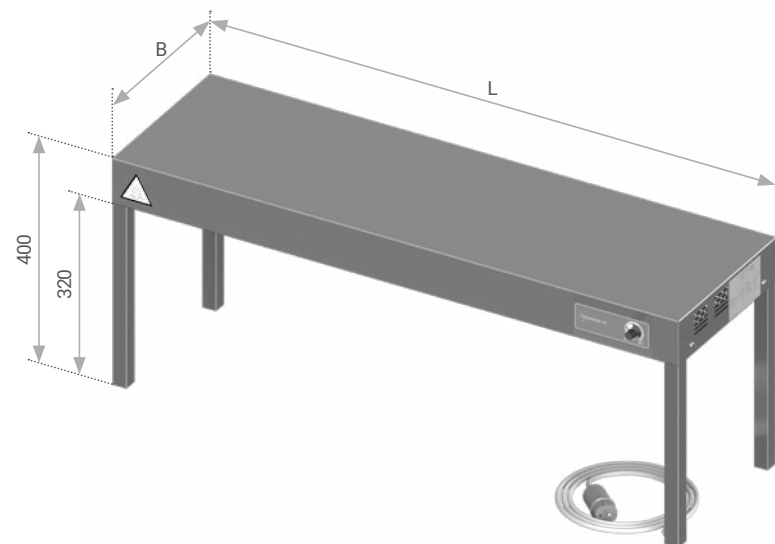
Code: Z-WPO-COLOUR
Price: 987 €

Note: non-standard colours may affect price and production time

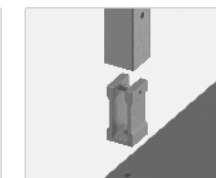


Extended warranty (covers replacing faulty parts)

Code: Z-SERVICE
Price/yr: +6%



STANDARD FEATURES



Easy to assemble. Suitable for all kinds of tables



Adjustable temperature up to +60 °C



Max loading 30 kg/shelf (uniform layout)

More technical information on page 9.52 - 9.61. Different dimensions and configurations are available on request. Examples on page 9.62.



Length L, mm	Width B, mm				Light bulbs	Max temperature, °C	Input	Power
	300		400					
	Model	Price, €	Model	Price, €				
1000	LPK1-100/30/40	557	LPK1-100/40/40	572	2 x 300 W	+60	2,6 A	600 W
1100	LPK1-110/30/40	563	LPK1-110/40/40	580	2 x 300 W	+60	2,6 A	600 W
1200	LPK1-120/30/40	571	LPK1-120/40/40	588	2 x 300 W	+60	2,6 A	600 W
1300	LPK1-130/30/40	649	LPK1-130/40/40	659	3 x 300 W	+60	3,9 A	900 W
1400	LPK1-140/30/40	656	LPK1-140/40/40	667	3 x 300 W	+60	3,9 A	900 W
1500	LPK1-150/30/40	662	LPK1-150/40/40	676	3 x 300 W	+60	3,9 A	900 W
1600	LPK1-160/30/40	663	LPK1-160/40/40	684	3 x 300 W	+60	3,9 A	900 W
1700	LPK1-170/30/40	741	LPK1-170/40/40	771	4 x 300 W	+60	5,2 A	1200 W
1800	LPK1-180/30/40	748	LPK1-180/40/40	780	4 x 300 W	+60	5,2 A	1200 W
1900	LPK1-190/30/40	755	LPK1-190/40/40	789	4 x 300 W	+60	5,2 A	1200 W
2000	LPK1-200/30/40	762	LPK1-200/40/40	797	4 x 300 W	+60	5,2 A	1200 W

OPTIONAL FEATURES



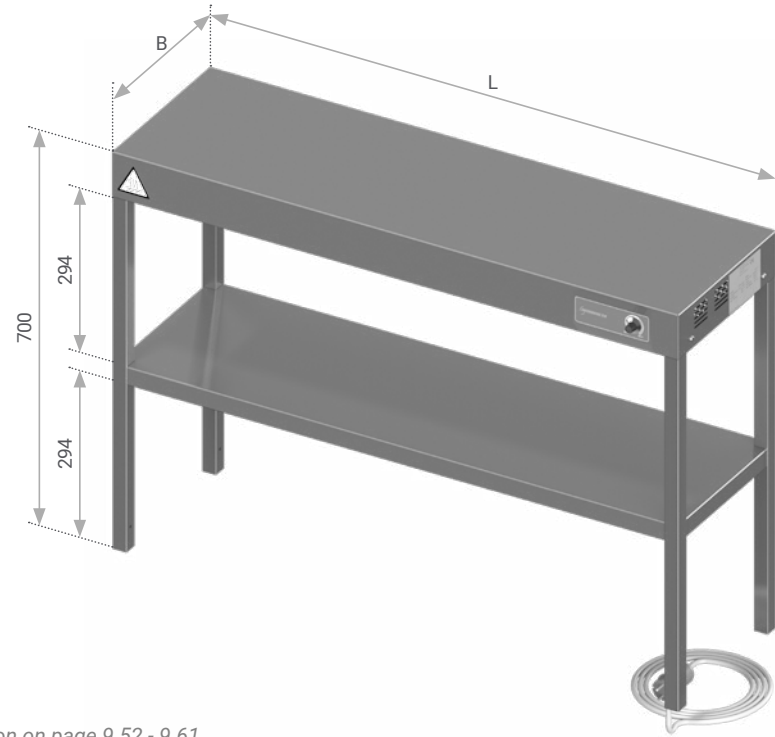
Light bulbs (500 W)

Code: K-ELI-500W
Price/pc: 24 €



Extended warranty (covers replacing faulty parts)

Code: Z-SERVICE
Price/yr: +6%



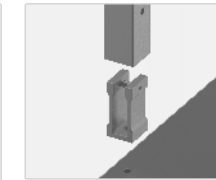
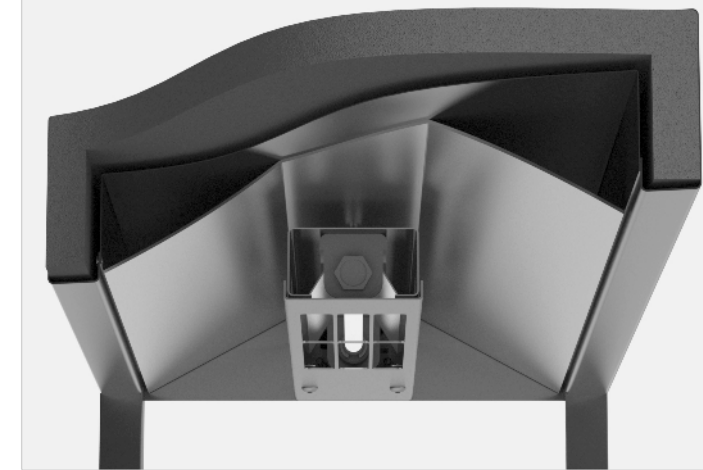
i More technical information on page 9.52 - 9.61.
Different dimensions and configurations are available on request. Examples on page 9.62.



Length L, mm	Width B, mm				Light bulbs	Max temperature, °C	Input	Power
	300		400					
	Model	Price, €	Model	Price, €				
1000	LPK2-100/30/70	606	LPK2-100/40/70	626	2 x 300 W	+60	2,6 A	600 W
1100	LPK2-110/30/70	615	LPK2-110/40/70	638	2 x 300 W	+60	2,6 A	600 W
1200	LPK2-120/30/70	624	LPK2-120/40/70	649	2 x 300 W	+60	2,6 A	600 W
1300	LPK2-130/30/70	703	LPK2-130/40/70	722	3 x 300 W	+60	3,9 A	900 W
1400	LPK2-140/30/70	713	LPK2-140/40/70	733	3 x 300 W	+60	3,9 A	900 W
1500	LPK2-150/30/70	722	LPK2-150/40/70	744	3 x 300 W	+60	3,9 A	900 W
1600	LPK2-160/30/70	731	LPK2-160/40/70	755	3 x 300 W	+60	3,9 A	900 W
1700	LPK2-170/30/70	811	LPK2-170/40/70	845	4 x 300 W	+60	5,2 A	1200 W
1800	LPK2-180/30/70	820	LPK2-180/40/70	856	4 x 300 W	+60	5,2 A	1200 W
1900	LPK2-190/30/70	829	LPK2-190/40/70	867	4 x 300 W	+60	5,2 A	1200 W
2000	LPK2-200/30/70	838	LPK2-200/40/70	878	4 x 300 W	+60	5,2 A	1200 W

STANDARD FEATURES

SHELF WITH INFRARED LIGHT BULBS 300 W AND THERMAL INSULATION



Easy to assemble. Suitable for all kinds of tables



Adjustable temperature up to +60 °C



Max loading 30 kg/shelf (uniform layout)

OPTIONAL FEATURES



Light bulbs (500 W)

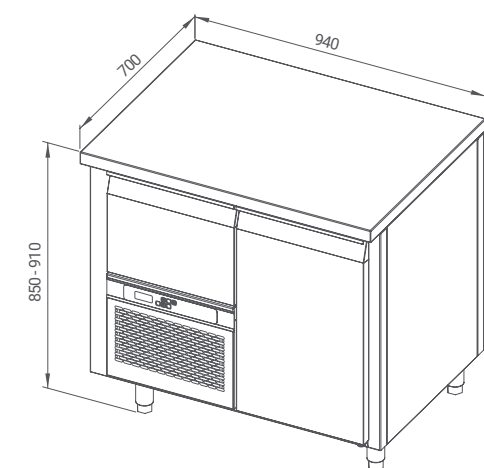
Code: K-ELI-500W
Price/pc: 24 €



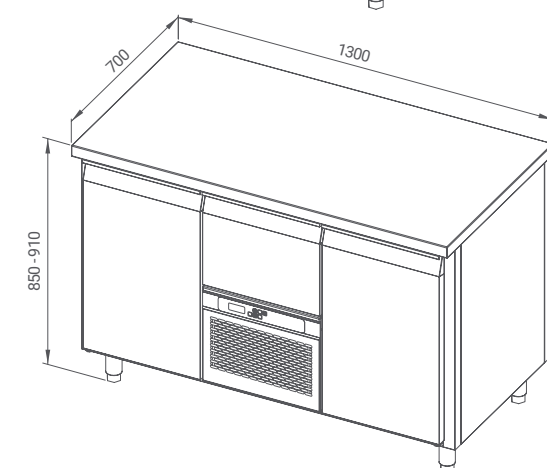
Extended warranty (covers replacing faulty parts)

Code: Z-SERVICE
Price/yr: +6%

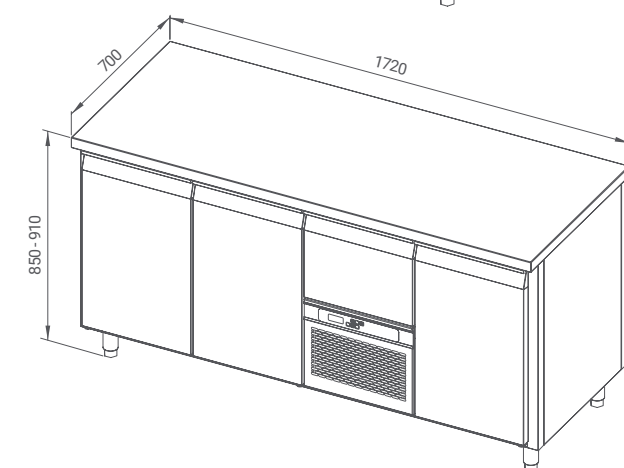
▣ SPECIFICATIONS FOR COOLING COUNTERS



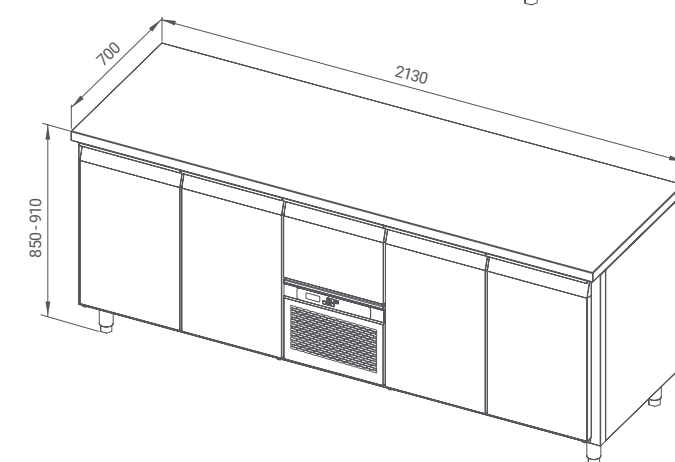
Model:	FP0-P100				
Climate class:	3				
Energy consumption:	2,93 kWh/24 h, C	2,26 kWh/24 h, C	6,90 kWh/24 h, D	1,29 kWh/24 h, A	6,61 kWh/24 h, D
Working temperature:	+2 ... +8 °C	-5 ... +5 °C	-20 ... -18 °C	-5 ... +8 °C	-20 ... -18 °C
Input:	1,8 A	2,3 A	2,8 A	4,1 A	
Power:	410 W	529 W	293 W	542 W	
Voltage/frequencies:	230-240 V / 50 Hz				
Weight:	70 kg				
Cooling type:	Ventilated				
Refrigerant:	R134a	R404a		R290	
Volume:	232 l				



Model:	FP0-P200				
Climate class:	3				
Energy consumption:	3,06 kWh/24 h, C	3,11 kWh/24 h, C	8,18 kWh/24 h, D	1,71 kWh/24 h, A	7,20 kWh/24 h, D
Working temperature:	+2 ... +8 °C	-5 ... +5 °C	-20 ... -18 °C	-5 ... +8 °C	-20 ... -18 °C
Input:	1,8 A	2,3 A	2,8 A	4,1 A	
Power:	410 W	529 W	293 W	542 W	
Voltage/frequencies:	230-240 V / 50 Hz				
Weight:	100 kg				
Cooling type:	Ventilated				
Refrigerant:	R134a	R404a		R290	
Volume:	361 l				

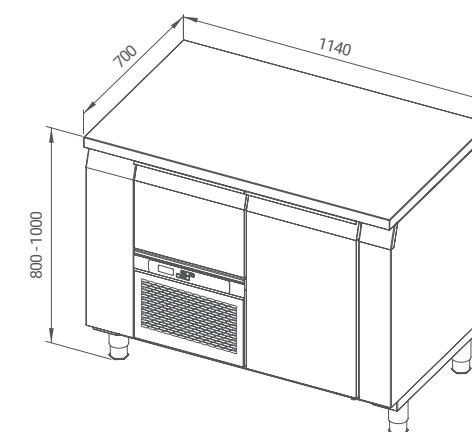


Model:	FP0-P300		
Climate class:	3		
Energy consumption:	3,80 kWh/24 h, C	3,25 kWh/24 h, C	1,80 kWh/24 h, A
Working temperature:	+2 ... +8 °C	-5 ... +5 °C	-5 ... +8 °C
Input:	2,1 A	2,5 A	2,8 A
Power:	480 W	575 W	293 W
Voltage/frequencies:	230-240 V / 50 Hz		
Weight:	130 kg		
Cooling type:	Ventilated		
Refrigerant:	R134a		R290
Volume:	508 l		



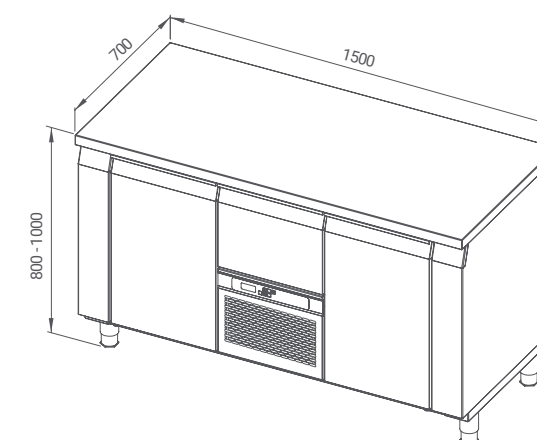
Model:	FP0-P400		
Climate class:	3		
Energy consumption:	4,19 kWh/24 h, C	4,26 kWh/24 h, C	2,04 kWh/24 h, A
Working temperature:	+2 ... +8 °C	-5 ... +5 °C	-5 ... +8 °C
Input:	2,1 A	2,5 A	2,8 A
Power:	480 W	575 W	293 W
Voltage/frequencies:	230-240 V / 50 Hz		
Weight:	160 kg		
Cooling type:	Ventilated		
Refrigerant:	R134a		R290
Volume:	655 l		

▣ SPECIFICATIONS FOR ADJUSTABLE HEIGHT COOLING COUNTERS



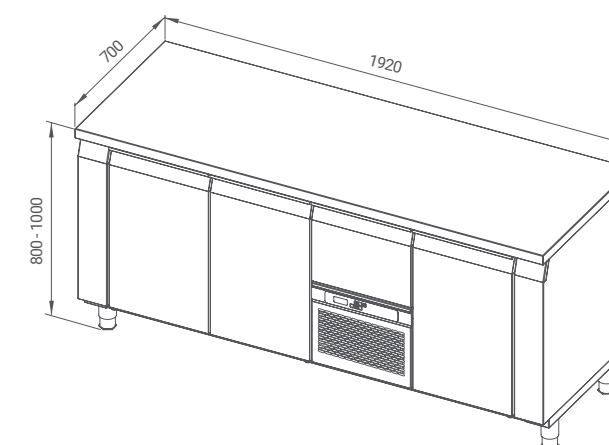
Model:	FPR-P100				
Climate class:	3				
Energy consumption:	2,93 kWh/24 h, C	2,26 kWh/24 h, C	6,90 kWh/24 h, D	1,29 kWh/24 h, A	6,61 kWh/24 h, D
Working temperature:	+2 ... +8 °C	-5 ... +5 °C	-20 ... -18 °C	-5 ... +8 °C	-20 ... -18 °C
Input:	1,8 A	2,3 A	2,8 A	4,1 A	
Power:	410 W	529 W	293 W	542 W	
Voltage/frequencies:	230-240 V / 50 Hz				
Weight:	103 kg				
Cooling type:	Ventilated				
Refrigerant:	R134a	R404a		R290	
Volume:	232 l				

* Input of height adjusting mechanism - max 1.5 A



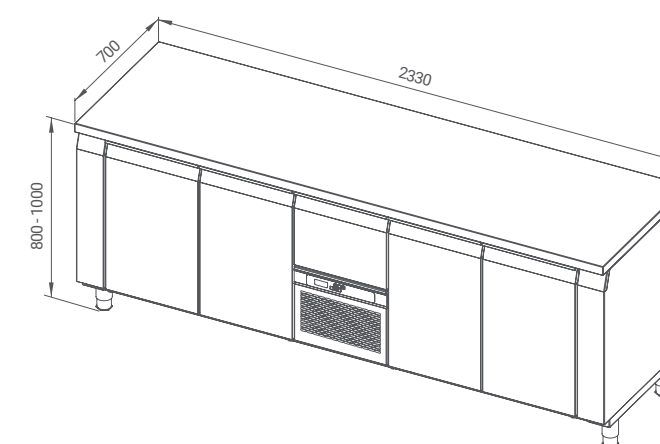
Model:	FPR-P200				
Climate class:	3				
Energy consumption:	3,06 kWh/24 h, C	3,11 kWh/24 h, C	8,18 kWh/24 h, D	1,71 kWh/24 h, A	7,20 kWh/24 h, D
Working temperature:	+2 ... +8 °C	-5 ... +5 °C	-20 ... -18 °C	-5 ... +8 °C	-20 ... -18 °C
Input:	1,8 A	2,3 A	2,8 A	4,1 A	
Power:	410 W	529 W	293 W	542 W	
Voltage/frequencies:	230-240 V / 50 Hz				
Weight:	133 kg				
Cooling type:	Ventilated				
Refrigerant:	R134a	R404a		R290	
Volume:	361 l				

* Input of height adjusting mechanism - max 1.5 A



Model:	FPR-P300		
Climate class:	3		
Energy consumption:	3,80 kWh/24 h, C	3,25 kWh/24 h, C	1,80 kWh/24 h, A
Working temperature:	+2 ... +8 °C	-5 ... +5 °C	-5 ... +8 °C
Input:	2,1 A	2,5 A	2,8 A
Power:	480 W	575 W	293 W
Voltage/frequencies:	230-240 V / 50 Hz		
Weight:	163 kg		
Cooling type:	Ventilated		
Refrigerant:	R134a		R290
Volume:	508 l		

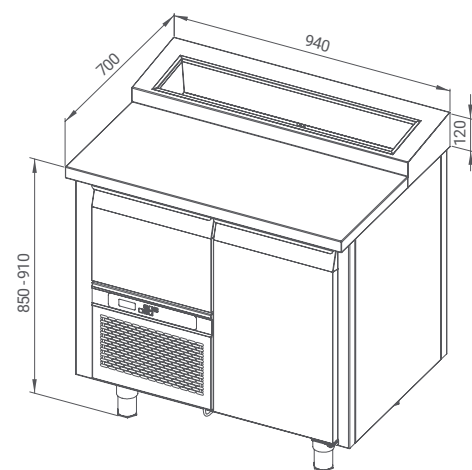
* Input of height adjusting mechanism - max 1.5 A



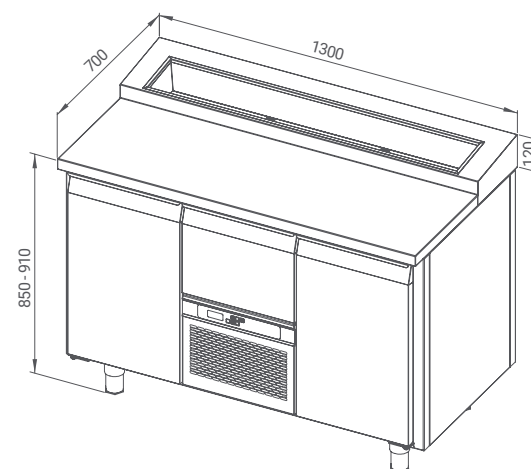
Model:	FPR-P400		
Climate class:	3		
Energy consumption:	4,19 kWh/24 h, C	4,26 kWh/24 h, C	2,04 kWh/24 h, A
Working temperature:	+2 ... +8 °C	-5 ... +5 °C	-5 ... +8 °C
Input:	2,1 A	2,5 A	2,8 A
Power:	480 W	575 W	293 W
Voltage/frequencies:	230-240 V / 50 Hz		
Weight:	193 kg		
Cooling type:	Ventilated		
Refrigerant:	R134a		R290
Volume:	655 l		

* Input of height adjusting mechanism - max 1.5 A

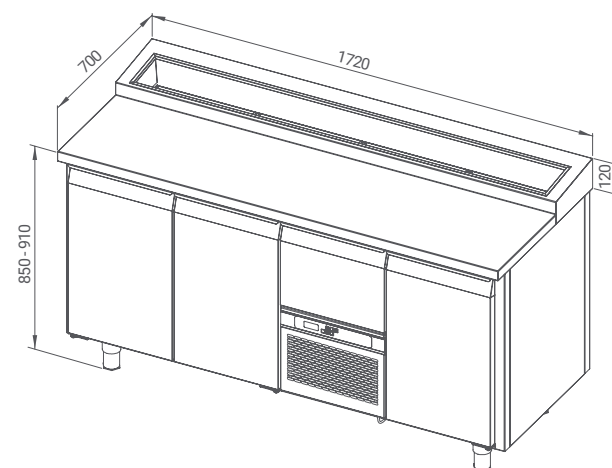
▣ SPECIFICATIONS FOR SALADETTE COUNTERS



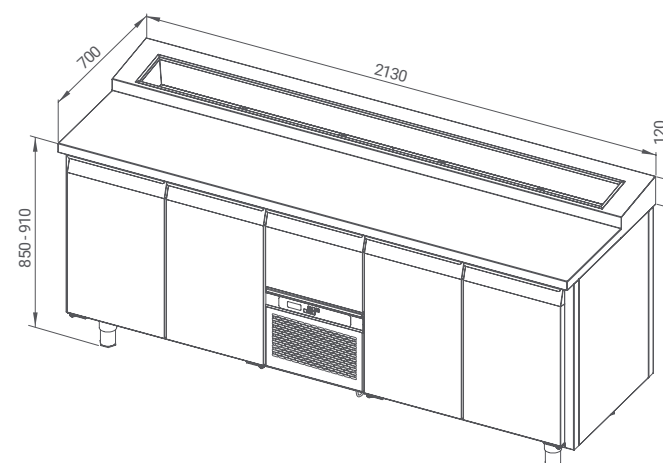
Model:	FS0-P100		
Climate class:	3		
Energy consumption:	2,93 kWh/24 h, C	2,26 kWh/24 h, C	6,61 kWh/24 h, D
Working temperature:	+2 ... +8 °C	-5 ... +5 °C	-5 ... +8 °C
Input:	1,8 A	1,8 A	2,8 A
Power:	410 W	410 W	293 W
Voltage/frequencies:	230-240 V / 50 Hz		
Weight:	75 kg		
Cooling type:	Ventilated		
Refrigerant:	R134a	R290	
Volume:	232 l		



Model:	FS0-P200		
Climate class:	3		
Energy consumption:	3,06 kWh/24 h, C	3,11 kWh/24 h, C	7,20 kWh/24 h, D
Working temperature:	+2 ... +8 °C	-5 ... +5 °C	-5 ... +8 °C
Input:	1,8 A	1,8 A	2,8 A
Power:	410 W	410 W	293 W
Voltage/frequencies:	230-240 V / 50 Hz		
Weight:	105 kg		
Cooling type:	Ventilated		
Refrigerant:	R134a	R290	
Volume:	361 l		

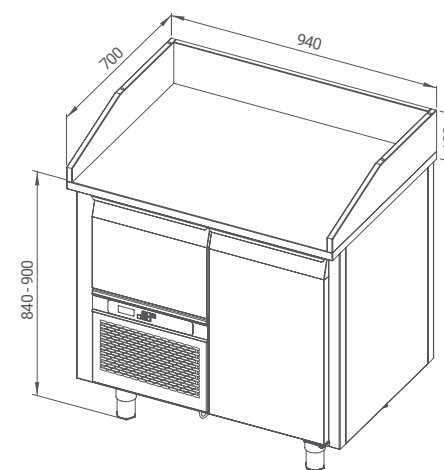


Model:	FS0-P300		
Climate class:	3		
Energy consumption:	3,80 kWh/24 h, C	3,25 kWh/24 h, C	1,80 kWh/24h, A
Working temperature:	+2 ... +8 °C	-5 ... +5 °C	-5 ... +8 °C
Input:	2,1 A	2,5 A	2,8 A
Power:	480 W	575 W	293 W
Voltage/frequencies:	230-240 V / 50 Hz		
Weight:	135 kg		
Cooling type:	Ventilated		
Refrigerant:	R134a	R290	
Volume:	508 l		

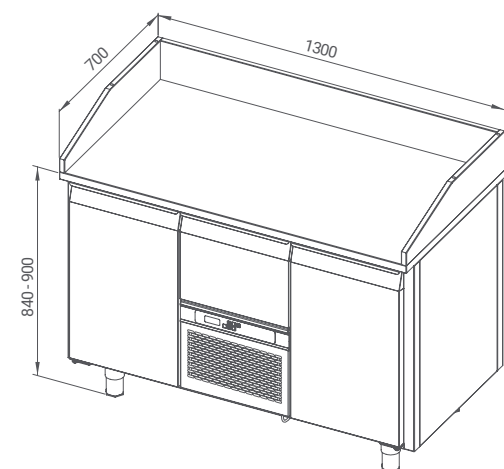


Model:	FS0-P400		
Climate class:	3		
Energy consumption:	4,19 kWh/24 h, C	4,26 kWh/24 h, C	2,04 kWh/24h, A
Working temperature:	+2 ... +8 °C	-5 ... +5 °C	-5 ... +8 °C
Input:	2,1 A	2,5 A	2,8 A
Power:	480 W	575 W	293 W
Voltage/frequencies:	230-240 V / 50 Hz		
Weight:	165 kg		
Cooling type:	Ventilated		
Refrigerant:	R134a	R290	
Volume:	655 l		

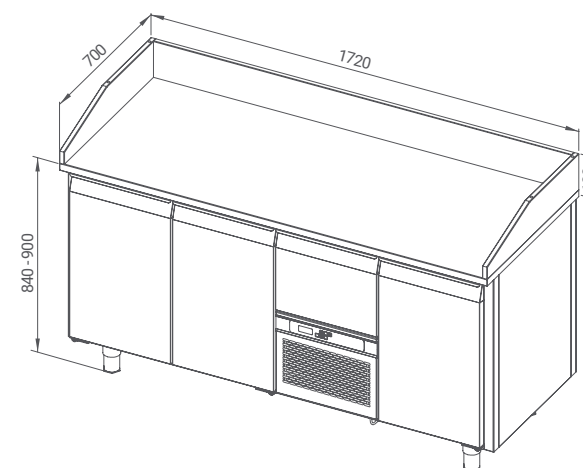
▣ SPECIFICATIONS FOR COOLING COUNTERS WITH GRANITE TABLE TOP



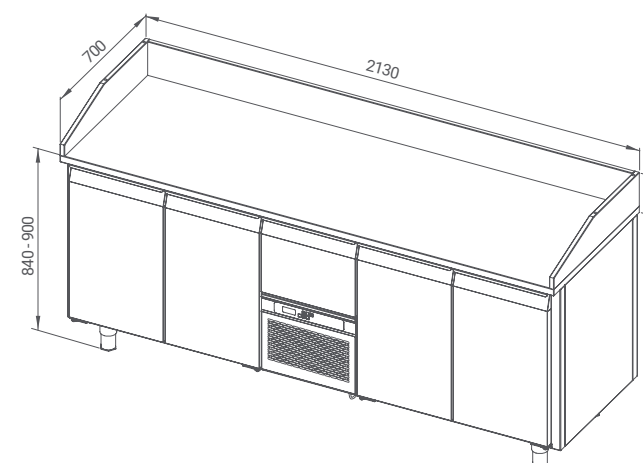
Model:	FM0-P100				
Climate class:	3				
Energy consumption:	2,93 kWh/24 h, C	2,26 kWh/24 h, C	6,90 kWh/24 h, D	1,29 kWh/24h, A	6,61 kWh/24 h, D
Working temperature:	+2 ... +8 °C	-5 ... +5 °C	-20 ... -18 °C	-5 ... +8 °C	-20 ... -18 °C
Input:	1,8 A	2,3 A	2,8 A	4,1 A	
Power:	410 W	529 W	293 W	542 W	
Voltage/frequencies:	230-240 V / 50 Hz				
Weight:	140 kg				
Cooling type:	Ventilated				
Refrigerant:	R134a	R404a	R290		
Volume:	232 l				



Model:	FM0-P200				
Climate class:	3				
Energy consumption:	3,06 kWh/24 h, C	3,11 kWh/24 h, C	8,18 kWh/24 h, D	1,71 kWh/24h, A	7,20 kWh/24 h, D
Working temperature:	+2 ... +8 °C	-5 ... +5 °C	-20 ... -18 °C	-5 ... +8 °C	-20 ... -18 °C
Input:	1,8 A	2,3 A	2,8 A	4,1 A	
Power:	410 W	529 W	293 W	542 W	
Voltage/frequencies:	230-240 V / 50 Hz				
Weight:	190 kg				
Cooling type:	Ventilated				
Refrigerant:	R134a	R404a	R290		
Volume:	361 l				

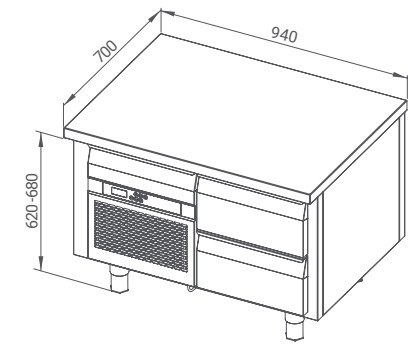


Model:	FM0-P300				
Climate class:	3				
Energy consumption:	3,80 kWh/24 h, C	3,25 kWh/24 h, C	1,80 kWh/24h, A		
Working temperature:	+2 ... +8 °C	-5 ... +5 °C	-5 ... +8 °C		
Input:	2,1 A	2,5 A	2,8 A		
Power:	480 W	575 W	293 W		
Voltage/frequencies:	230-240 V / 50 Hz				
Weight:	250 kg				
Cooling type:	Ventilated				
Refrigerant:	R134a	R290			
Volume:	508 l				

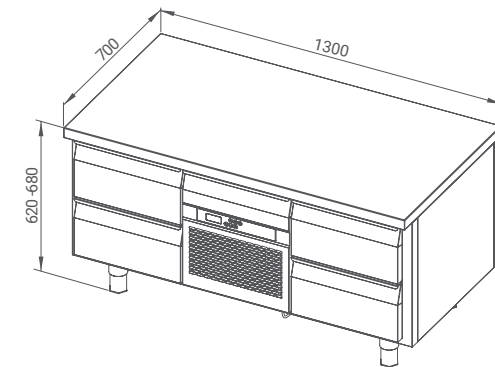


Model:	FM0-P400				
Climate class:	3				
Energy consumption:	4,19 kWh/24 h, C	4,26 kWh/24 h, C	2,04 kWh/24h, A		
Working temperature:	+2 ... +8 °C	-5 ... +5 °C	-5 ... +8 °C		
Input:	2,1 A	2,5 A	2,8 A		
Power:	480 W	575 W	293 W		
Voltage/frequencies:	230-240 V / 50 Hz				
Weight:	300 kg				
Cooling type:	Ventilated				
Refrigerant:	R134a	R290			
Volume:	655 l				

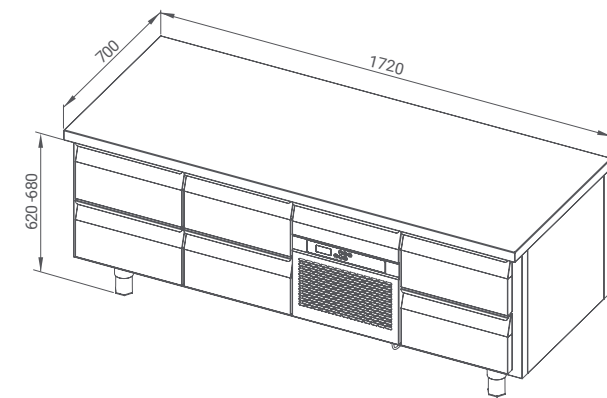
▣ SPECIFICATIONS FOR LOW COOLING COUNTERS



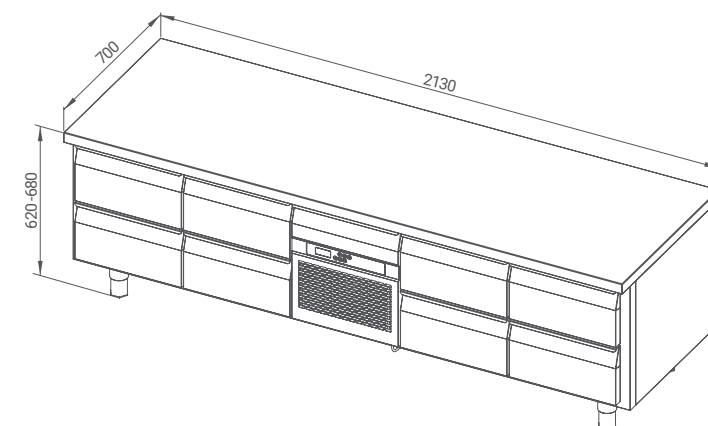
Model:	FP0-P125				
Climate class:	3				
Energy consumption:	1,61 kWh/24 h, B	1,31 kWh/24 h, B	3,88 kWh/24 h, D	1,27 kWh/24 h, A	3,87 kWh/24 h, D
Working temperature:	+2 ... +8 °C	-5 ... +5 °C	-20 ... -18 °C	-5 ... +8 °C	-20 ... -18 °C
Input:	1,8 A	1,8 A	2,3 A	2,8 A	4,1 A
Power:	410 W	410 W	529 W	293 W	542 W
Voltage/frequencies:	230-240 V / 50 Hz				
Weight:	50 kg				
Cooling type:	Ventilated				
Refrigerant:	R134a	R404a	R290		
Volume:	129 l				



Model:	FP0-P226				
Climate class:	3				
Energy consumption:	2,66 kWh/24 h, C	2,05 kWh/24 h, C	4,78 kWh/24 h, D	1,41 kWh/24 h, A	4,61 kWh/24 h, D
Working temperature:	+2 ... +8 °C	-5 ... +5 °C	-20 ... -18 °C	-5 ... +8 °C	-20 ... -18 °C
Input:	1,8 A	1,8 A	2,3 A	2,8 A	4,1 A
Power:	410 W	410 W	529 W	293 W	542 W
Voltage/frequencies:	230-240 V / 50 Hz				
Weight:	70 kg				
Cooling type:	Ventilated				
Refrigerant:	R134a	R404a	R290		
Volume:	213 l				

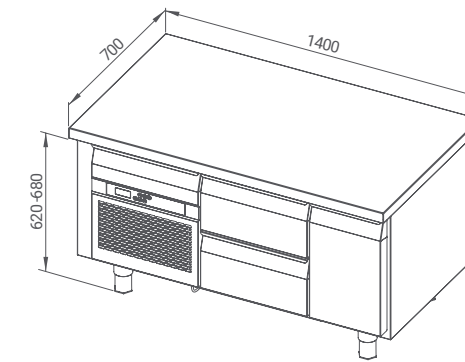


Model:	FP0-P327		
Climate class:	3		
Energy consumption:	2,35 kWh/24 h, C	2,03 kWh/24 h, B	1,57 kWh/24 h, A
Working temperature:	+2 ... +8 °C	-5 ... +5 °C	-5 ... +8 °C
Input:	2,1 A	2,5 A	2,8 A
Power:	480 W	575 W	293 W
Voltage/frequencies:	230-240 V / 50 Hz		
Weight:	90 kg		
Cooling type:	Ventilated		
Refrigerant:	R134a	R290	
Volume:	308 l		

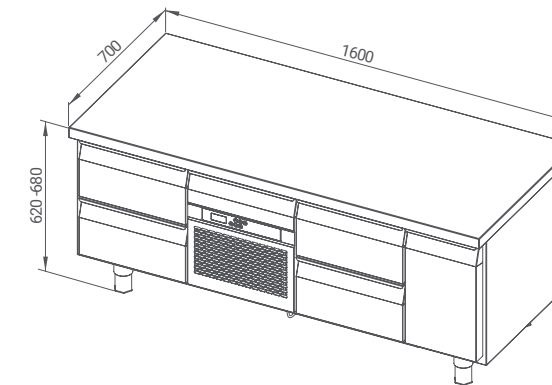


Model:	FP0-P428		
Climate class:	3		
Energy consumption:	3,09 kWh/24 h, C	2,48 kWh/24 h, C	1,72 kWh/24 h, A
Working temperature:	+2 ... +8 °C	-5 ... +5 °C	-5 ... +8 °C
Input:	2,1 A	2,5 A	2,8 A
Power:	480 W	575 W	293 W
Voltage/frequencies:	230-240 V / 50 Hz		
Weight:	110 kg		
Cooling type:	Ventilated		
Refrigerant:	R134a	R290	
Volume:	404 l		

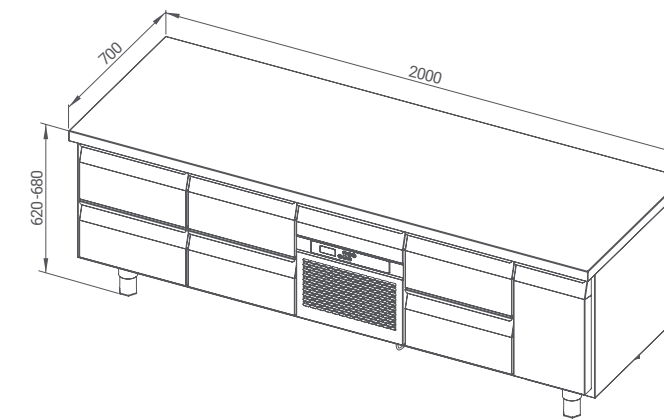
▣ SPECIFICATIONS FOR LOW COOLING COUNTERS WITH NEUTRAL DRAWER



Model:	FPS-P125				
Climate class:	3				
Energy consumption:	1,61 kWh/24 h, B	1,31 kWh/24 h, B	3,88 kWh/24 h, D	1,27 kWh/24 h, A	3,87 kWh/24 h, D
Working temperature:	+2 ... +8 °C	-5 ... +5 °C	-20 ... -18 °C	-5 ... +8 °C	-20 ... -18 °C
Input:	1,8 A	1,8 A	2,3 A	2,8 A	4,1 A
Power:	410 W	410 W	529 W	293 W	542 W
Voltage/frequencies:	230-240 V / 50 Hz				
Weight:	50 kg				
Cooling type:	Ventilated				
Refrigerant:	R134a	R404a	R290		
Volume:	129 + 107 l				

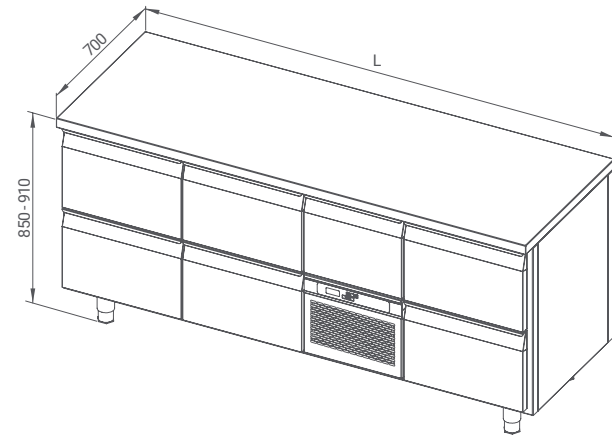


Model:	FPS-P226				
Climate class:	3				
Energy consumption:	2,66 kWh/24 h, C	2,05 kWh/24 h, C	4,78 kWh/24 h, D	1,41 kWh/24 h, A	4,61 kWh/24 h, D
Working temperature:	+2 ... +8 °C	-5 ... +5 °C	-20 ... -18 °C	-5 ... +8 °C	-20 ... -18 °C
Input:	1,8 A	1,8 A	2,3 A	2,8 A	4,1 A
Power:	410 W	410 W	529 W	293 W	542 W
Voltage/frequencies:	230-240 V / 50 Hz				
Weight:	70 kg				
Cooling type:	Ventilated				
Refrigerant:	R134a	R404a	R290		
Volume:	213 + 66 l				



Model:	FPS-P327		
Climate class:	3		
Energy consumption:	2,35 kWh/24 h, C	2,03 kWh/24 h, B	1,57 kWh/24 h, A
Working temperature:	+2 ... +8 °C	-5 ... +5 °C	-5 ... +8 °C
Input:	2,1 A	2,5 A	2,8 A
Power:	480 W	575 W	293 W
Voltage/frequencies:	230-240 V / 50 Hz		
Weight:	90 kg		
Cooling type:	Ventilated		
Refrigerant:	R134a	R290	
Volume:	308 + 60 l		

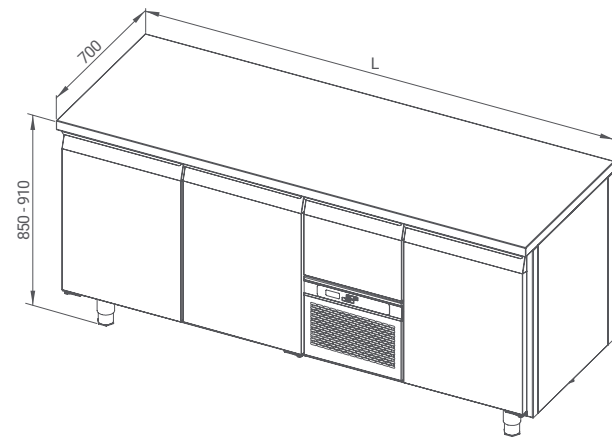
▮ SPECIFICATIONS FOR COOLING COUNTERS FOR BEER BOXES



Model:	FP0-P115	FP0-P216	FP0-P317
Length L, mm	1010	1460	1960
Climate class:	3		
Energy consumption:	2,98 kWh/24 h, C	3,40 kWh/24 h, C	3,98 kWh/24 h, C
Working temperature:	+2 ... +8 °C		
Input:	1,8 A	2,1 A	
Power:	410 W	480 W	
Voltage/frequencies:	230-240 V / 50 Hz		
Weight:	90 kg	110 kg	130 kg
Cooling type:	Ventilated		
Refrigerant:	R134a		
Volume:	300 l	440 l	620 l

Model:	FP0-P115	FP0-P216	FP0-P317
Length L, mm	1010	1460	1960
Climate class:	3		
Energy consumption:	1,31 kWh/24h, A	1,77 kWh/24h, A	1,85 kWh/24h, A
Working temperature:	-5 ... +8 °C		
Input:	2,8 A		
Power:	293 W		
Voltage/frequencies:	230-240 V / 50 Hz		
Weight:	90 kg	110 kg	130 kg
Cooling type:	Ventilated		
Refrigerant:	R290		
Volume:	300 l	440 l	620 l

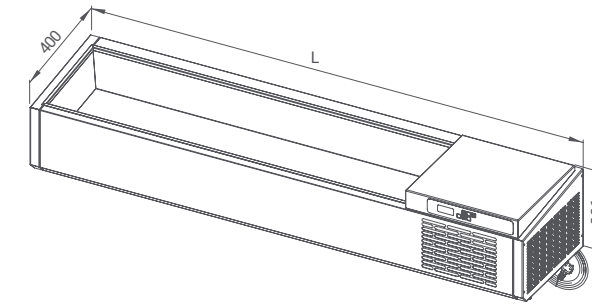
▮ SPECIFICATIONS FOR COOLING COUNTERS FOR BAKING TRAYS



Model:	FP0-P105	FP0-P206	FP0-P307
Length L, mm	1010	1460	1960
Climate class:	3		
Energy consumption:	2,98 kWh/24 h, C	3,40 kWh/24 h, C	3,98 kWh/24 h, C
Working temperature:	+2 ... +8 °C		
Input:	1,8 A	2,1 A	
Power:	410 W	480 W	
Voltage/frequencies:	230-240 V / 50 Hz		
Weight:	90 kg	110 kg	130 kg
Cooling type:	Ventilated		
Refrigerant:	R134a		
Volume:	300 l	440 l	620 l

Model:	FP0-P105	FP0-P206	FP0-P307
Length L, mm	1010	1460	1960
Climate class:	3		
Energy consumption:	1,31 kWh/24h, A	1,77 kWh/24h, A	1,85 kWh/24h, A
Working temperature:	-5 ... +8 °C		
Input:	2,8 A		
Power:	293 W		
Voltage/frequencies:	230-240 V / 50 Hz		
Weight:	90 kg	110 kg	130 kg
Cooling type:	Ventilated		
Refrigerant:	R290		
Volume:	300 l	440 l	620 l

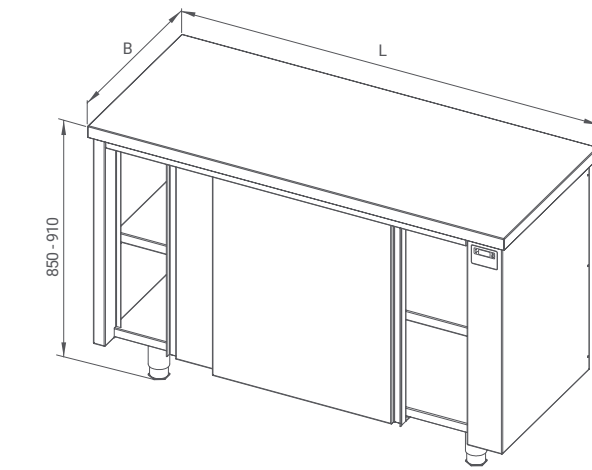
▮ SPECIFICATIONS FOR REFRIGERATED COUNTERTOP DISPLAY



Model:	FV0-00000
Length L, mm	940, 1010, 1300, 1460, 1720, 1960, 2130
Climate class:	3
Working temperature:	+2 ... +8 °C
Input:	1,6 / 2,3 A *
Power:	370 / 530 W *
Voltage/frequencies:	230-240 V / 50 Hz
Weight:	22 - 38 kg *
Cooling type:	Static
Refrigerant:	R134a

* Power, input and weight of countertop display depends on its dimensions

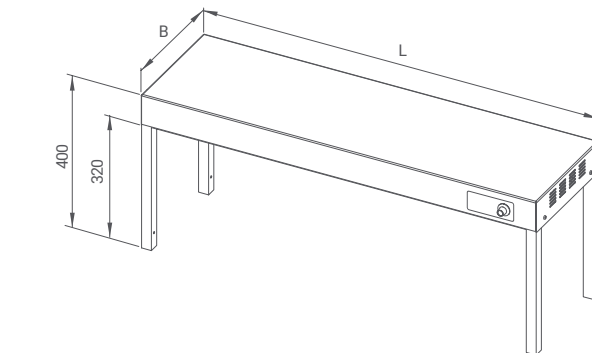
▮ SPECIFICATIONS FOR HEATED CUPBOARDS



Model:	WP0-NLU
Length L, mm	1000 - 2000
Width B, mm	600, 650, 700
Working temperature (inside the cupboard):	+30 ... +85 °C
Input:	9,7 A
Power:	2200 W
Voltage/frequencies:	230-240 V / 50 Hz
Weight:	75 - 115 kg *
Operating type:	Ventilated heat

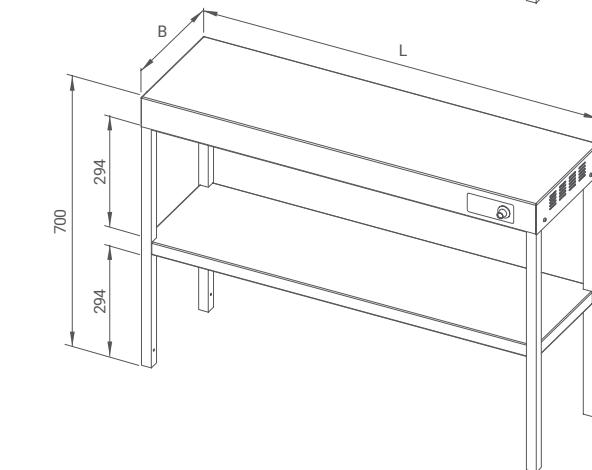
* Weight of the heated cupboard depends on its dimensions

▮ SPECIFICATIONS FOR HEATED SHELVES



Model:	LPK1 / LPK2
Length L, mm	1000 - 2000
Width B, mm	300, 400
Max temperature of the working surface:	+60 °C
Input:	2,6 / 3,9 / 5,2 A *
Power:	600 / 900 / 1200 W *
Voltage/frequencies:	230-240 V / 50 Hz
Weight:	10 - 35 kg *
Operating type:	Infrared heating

* Power, input and weight of the heated shelf depends on its dimensions



SOLID WOOD TABLE TOP



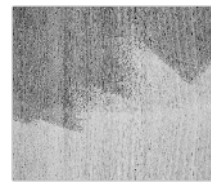
Solid oak table top: 40 mm thickness (without upstand)
 Code: A-DSM-A
 Price/m²: 315 €
 Note: max length 2000 mm



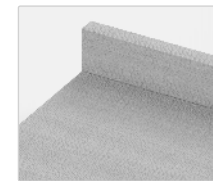
Solid beech table top: 40 mm thickness (without upstand)
 Code: A-DSM-B
 Price/m²: 385 €
 Note: max length 2000 mm



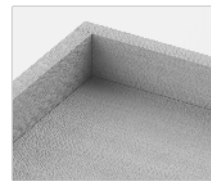
Solid ash table top: 40 mm thickness (without upstand)
 Code: A-DSM-U
 Price/m²: 237 €
 Note: max length 2000 mm



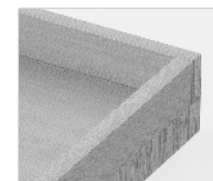
Oil finish on both sides (3 layers)
 Code: A-DSM-OIL
 Price/m²: 70 €



Upstand (height 50 mm)
 Code: A-DSBM-2
 Price/m: 22 €



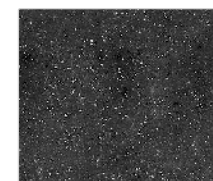
Upstand on rear and side (height 50 mm)
 Code: A-DSBM-4 (left)
 A-DSBM-5 (right)
 Price/m: 26 €



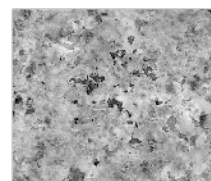
Upstand on rear and both sides (height 50 mm)
 Code: A-DSBM-6
 Price/m: 30 €

Due to wood drying and swelling process recommended max length 2000 mm and width 1100 mm

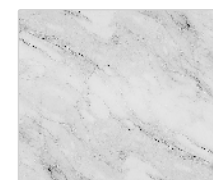
STONE TABLE TOP



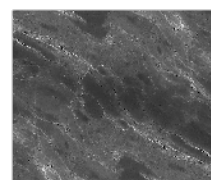
Granite table top: 30 mm thickness (without upstand)
 Code: DM0-GALAXY
 Price/m²: Ask for price



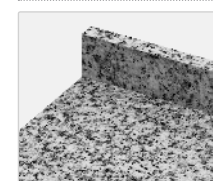
Granite table top: 30 mm thickness (without upstand)
 Code: DM0-G681
 Price/m²: Ask for price



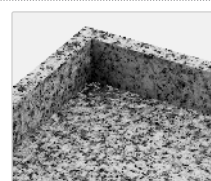
Marble table top: 30 mm thickness (without upstand)
 Code: DM0-CARRARA
 Price/m²: Ask for price



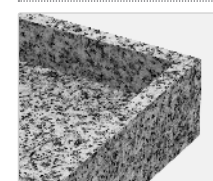
Non standard stone table top (without upstand)
 Code: Z-STONE
 Price/m²: Ask for price



Upstand (height 50 mm)
 Code: A-DSBM-2
 Price/m: Ask for price

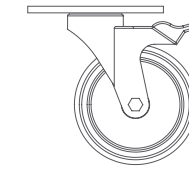


Upstand on rear and side (height 50 mm)
 Code: A-DSBM-4 (left)
 A-DSBM-5 (right)
 Price/m: Ask for price

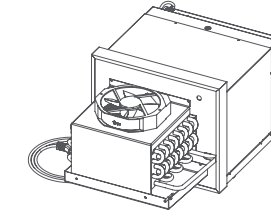


Upstand on rear and both sides (height 50 mm)
 Code: A-DSBM-6
 Price/m: Ask for price

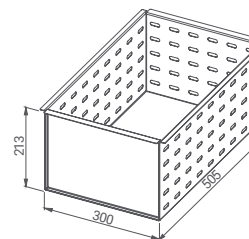
ACCESSORIES



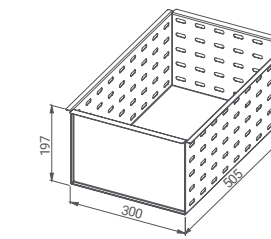
Set of galvanized wheels Ø125 mm (4 pcs), 2 pcs with brakes
 Code: A-F-RC125
 Price: 112 €



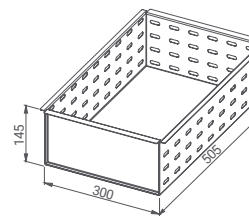
Extra cooling monoblock
 Code: K-ESM
 Price: Ask for price



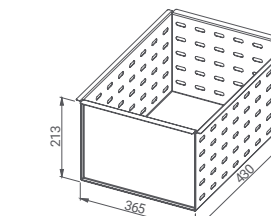
Perforated insert for large drawers
 Code: A-F-SIDS
 Price/pc: 56 €
 Note: not suitable for beer boxes drawers



Perforated insert for drawer over monoblock
 Code: A-F-SIKS
 Price/pc: 55 €
 Note: not suitable for beer boxes drawers

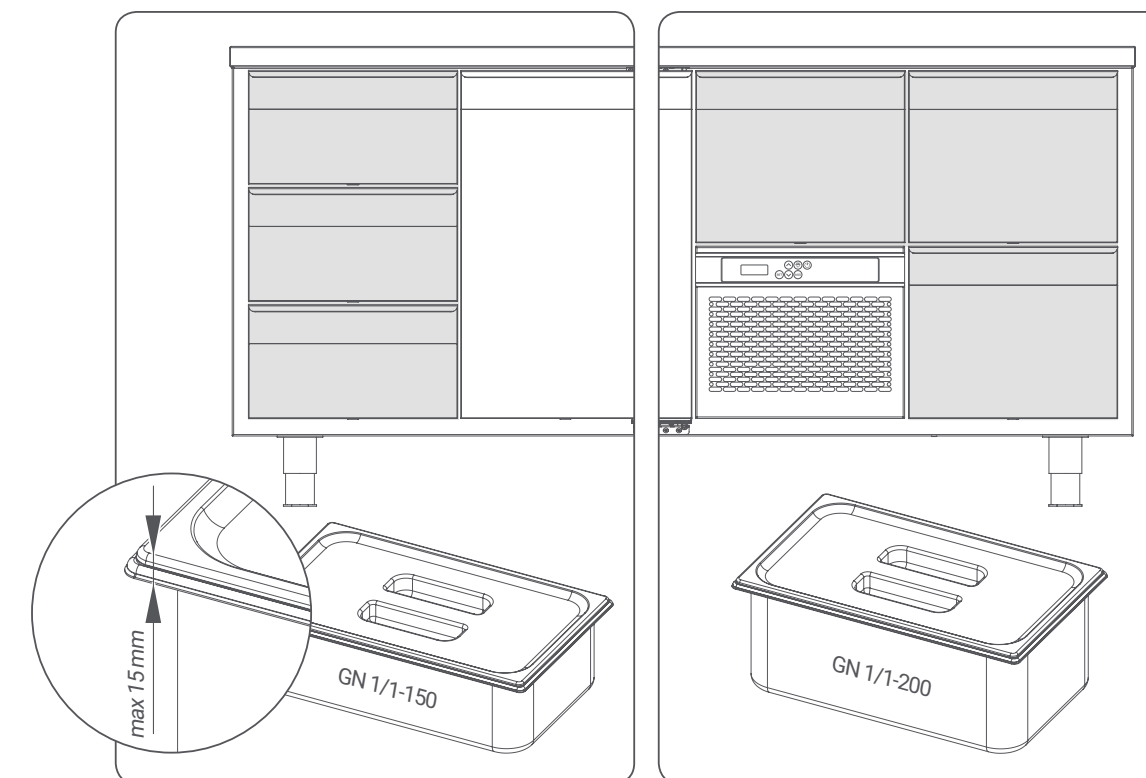


Perforated insert for small drawers
 Code: A-F-SIMS
 Price/pc: 52 €
 Note: not suitable for beer boxes drawers



Perforated insert for beer boxes drawers
 Code: A-F-SIADS
 Price/pc: 59 €
 Note: only suitable for beer boxes drawers

DRAWER SIZES



i NOVAMETA STANDARD TERMS

Applicability

These Standard Terms ("Terms") apply to all products supplied directly by Novameta to its distributors.

Validity of quotations

Quotations are valid for 90 days unless otherwise explicitly stated in the individual quotation. Not responsible for misprints.

Delivery terms

Provided in the proforma invoice.

In case of ex-works (INCOTERMS 2010) Novameta shall not be liable for delays and the distributor shall not be permitted to terminate the purchase due to delays unless agreed to in writing.

Payment terms

Provided in the proforma invoice.

If a higher credit limit is necessary, security is mandatory. Novameta may reduce a credit limit at any time if considered appropriate by Novameta.

Storage terms

Provided in the proforma invoice.

Retention of Title

Novameta shall retain title in all products and components sold to the distributor until the distributor has paid for the products in full (including transportation and packaging costs).

Warranty terms

Novameta provides a Manufacturer's warranty for all of the equipment against defects in materials and workmanship for a period of 1 year from the date of invoicing of the defective product or component to the distributor. Manufacturer undertakes to replace all inferior parts to proper quality parts or materials. In case of a fault, a properly filled claim is required and must contain all essential information relative to the fault. Faulty parts shall be returned to Manufacturer for further inspection.

Extended warranty

The extended warranty is solely applicable to certain equipment (indicated in the price list). The extended warranty costs extra of the item's list price. Standard warranty terms apply.

Warranty exclusions and limitations of liability

The warranty in these Terms shall be the distributor's exclusive remedy for defective products and components towards Novameta. Novameta shall not be liable for any costs, expenses, losses or claims (whether direct, indirect, consequential or otherwise) relating to defective products or components unless otherwise explicitly stated herein or agreed in writing. Any expenses in connection with the installation or costs of making adjustments (including service procedures, travel time costs) on the equipment to comply with the supply at the point of installation are not covered by this warranty.

The producer does not take any responsibility for damages that occur due to ignorance of cautions, improper maintenance or mechanical damages of the unit, including those, caused during the delivery. This warranty is not effective if damage occurs from improper installation, misuse; incorrect voltage supply, wear and tear from normal usage, accidental breakage, damage or if the equipment is operated contrary to the user instructions. The warranty does not cover if the damage occurs due to natural disasters; fire, if repair service was made by unauthorized person.

In case of a failure not covered by the warranty, we provide a possibility to purchase spare parts.

i NOVAMETA STANDARD TERMS

Procedure for repair or replacement under the warranty

The distributor shall, at its own costs, make all reasonable attempts to repair any defective component or product.

If such repair is not possible for the distributor, the distributor shall contact Novameta in writing immediately (within 3 working days) upon suspicion of any defects that may be covered by the warranty. If Novameta is not contacted immediately (within 3 working days) in such cases, the distributor shall have no remedies.

Distributor's contact shall include specific information as to the suspected defect the relevant order number and a copy of the relevant invoice.

After timely receipt of the above, Novameta will decide if there is a defect, whether the claim is covered by the warranty, and whether the product or component is to be replaced.

In cases where Novameta decides to replace defective products or components with new ones, the distributor will be billed the full amount for the goods when they are sent. This amount will then be credited when the defective product or components is returned to Novameta and it is established that the defective product or component is covered by the warranty.

With regard to the transport of products and components, Novameta will pay the freight of new or repaired products and components, while the distributor will pay the freight for defective goods that are returned (and any other costs related to the return of the goods). The warranty does not cover expenses of the service procedures performed. Novameta does not provide service.

Unless otherwise agreed in writing, the defective product or component should always be returned to Novameta: Draugystės g. 15D, LT-51227 Kaunas, Lithuania.

Cancellations

If an order cancellation request is made after confirmation of drawing and proforma invoice, adjustments are not possible and production cannot be stopped. In case of cancellation product will be charged in full.

Shipping and packing

Novameta will pack products for shipment in Novameta standard packaging. If the distributor has other requirements as to packing, the distributor shall contact Novameta to make special arrangements.

Delivery recommendations

Upon receipt, inspect units immediately for any shipping damage and notify carrier immediately if damage is found. It must be reported immediately (upon delivery) in writing in the CMR. Otherwise neither the Manufacturer nor the carrier can take responsibility for transport damage. All items are thoroughly inspected and carefully packed before leaving our factory, thus Novameta cannot accept responsibility for any shipping damage, however Novameta will assist in filing a claim.

Liability and Product liability

Novameta shall only be liable for defects and product liability to the extent set out herein (see particularly warranty terms). In addition to the aforesaid all liability is capped at the invoiced price of the defective product. All other liability is hereby excluded.

Choice of law and Venue

These Terms and the cooperation between Novameta and its distributors, including any disputes relating thereto, shall be governed by Lithuanian law.

Any disputes shall be settled before the Lithuanian courts, which shall have exclusive jurisdiction.

Company No. 235886490, VAT Reg. No. LT 358864917

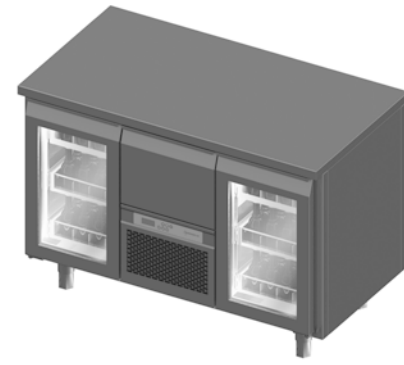
Reg. No. 048959, Centre of Registers

IBAN: LT227300010071982293, Swedbank, AB

REFERENCES

COMPANY CANTEENS

- Booking.com Headquarters*
Amsterdam, Netherlands
- Novo Nordisk Pharmaceutical Company*
Bagsværd, Denmark
- Google Office*
Copenhagen, Denmark
- Michael Kors Distribution Centre*
Venlo, Netherlands
- Samsung Electronics Benelux Office*
Amsterdam, Netherlands
- Nordea Bank Headquarters*
Oslo, Norway
- ING Bank Office*
Amsterdam, Netherlands
- Rabobank Bank*
Eindhoven, Netherlands
- KLM Catering Services Office*
Amsterdam, Netherlands



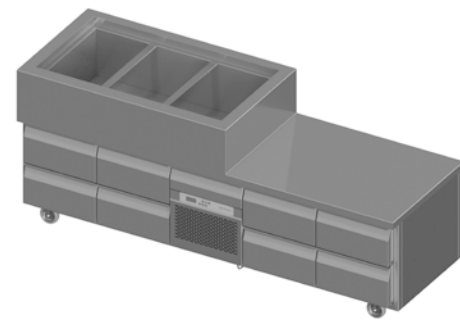
ZA17-9005



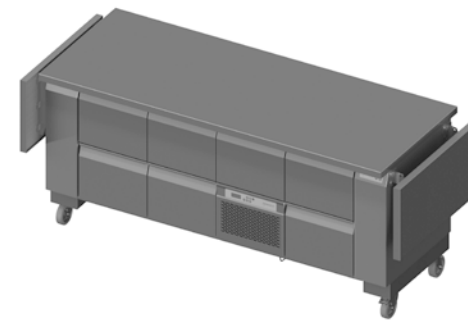
ZQ16-9020

EDUCATIONAL INSTITUTIONS

- University of Wolverhampton*
Wolverhampton, United Kingdom
- Copenhagen International School*
Copenhagen, Denmark
- Farmen Barnehage Kindergarten*
Levanger, Norway



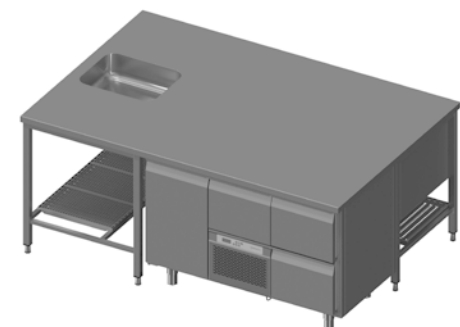
ZR17-9003



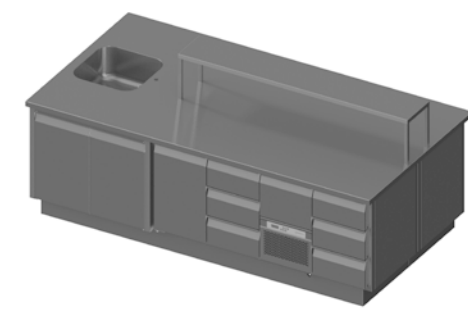
ZE16-9002

HOTELS

- Ramada Resort Hadera Beach Hotel*
Hadera, Israel
- Hilton Slussen Hotel*
Stockholm, Sweden
- Kempinski Hotel Cathedral Square*
Vilnius, Lithuania
- Thon Hotel Chain*
Norway
- Tallink City Hotel*
Tallinn, Estonia



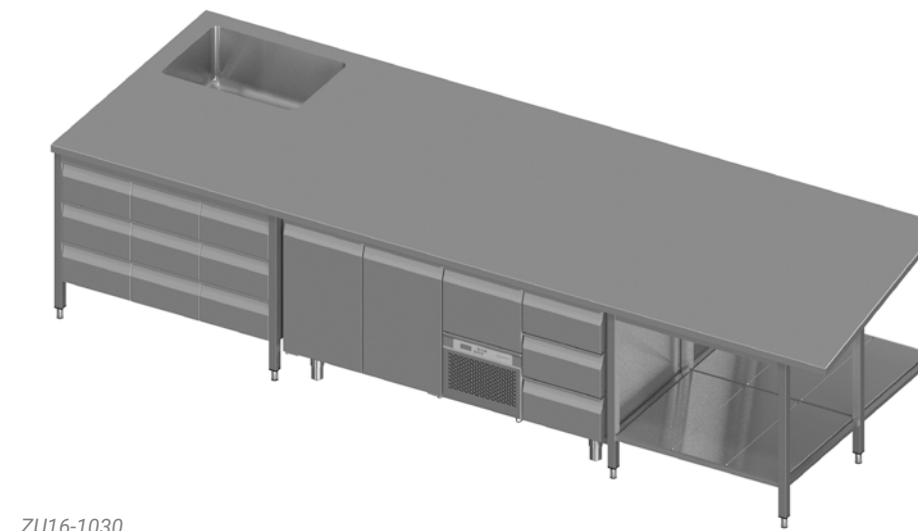
ZU16-1310



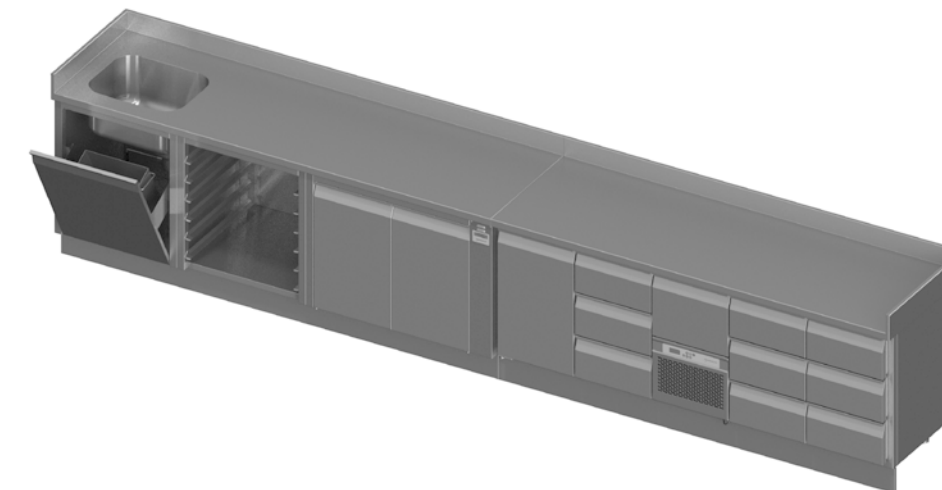
ZF15-1021

LEISURE AND LARGE VENUES

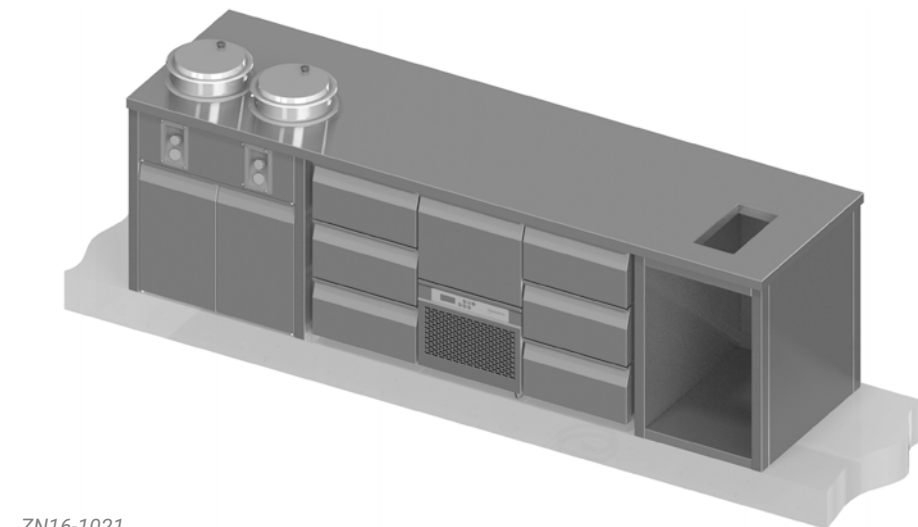
- Royal Theatre Carre*
Amsterdam, Netherlands
- LEGOLAND Amusement Park*
Billund, Denmark
- The Well Spa Centre*
Oslo, Norway



ZU16-1030



ZL15-1360



ZN16-1021

REFERENCES

RESTAURANTS AND BARS

- TGI Fridays Bar & Restaurant*
Sweden
- Chateau Motel Nightclub*
Copenhagen, Denmark
- Happy Italy Restaurants*
Netherlands
- Milu Bar & Restaurant*
The Hague, Netherlands
- Easy Wine Bar*
Riga, Latvia
- Flammen Restaurants*
Denmark
- Bierhuis Restaurant*
Uppsala, Sweden
- Hotcha Restaurant*
Liverpool, United Kingdom

GOVERNMENT & PUBLIC SERVICES

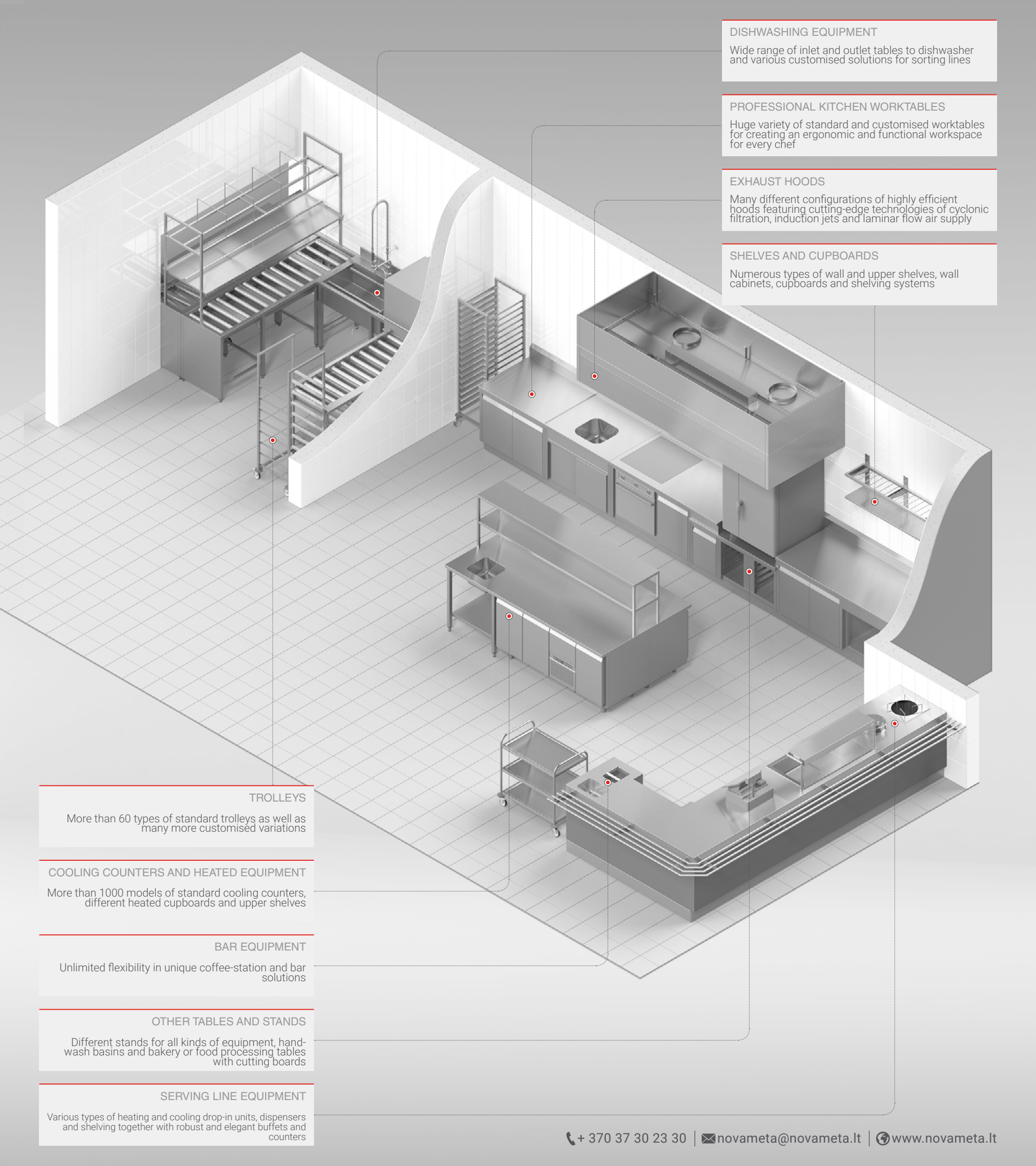
- Ministry of Economic Affairs*
The Hague, Netherlands
- Embassy of Hungary*
Stockholm, Sweden
- Statsfængslet Nordfalster Prison*
Nordfalster, Denmark

HEALTHCARE

- Mare Klinikum Medical Diagnostic Centre*
Kiel, Germany
- Wexham Park Hospital*
Slough, United Kingdom
- Zaans Medical Centre*
Zaandam, Netherlands
- Rikshospitalet Hospital*
Oslo, Norway
- Syrenparken Psychiatric Hospital*
Børkop, Denmark

SHOPS AND SUPERMARKETS

- ICA Supermarkets*
Sweden
- IKEA Stores*
Netherlands; Lithuania
- Coop Supermarkets*
Norway
- Hema Supermarkets*
Netherlands



DISHWASHING EQUIPMENT

Wide range of inlet and outlet tables to dishwasher and various customised solutions for sorting lines

PROFESSIONAL KITCHEN WORKTABLES

Huge variety of standard and customised worktables for creating an ergonomic and functional workspace for every chef

EXHAUST HOODS

Many different configurations of highly efficient hoods featuring cutting-edge technologies of cyclonic filtration, induction jets and laminar flow air supply

SHELVES AND CUPBOARDS

Numerous types of wall and upper shelves, wall cabinets, cupboards and shelving systems

TROLLEYS

More than 60 types of standard trolleys as well as many more customised variations

COOLING COUNTERS AND HEATED EQUIPMENT

More than 1000 models of standard cooling counters, different heated cupboards and upper shelves

BAR EQUIPMENT

Unlimited flexibility in unique coffee-station and bar solutions

OTHER TABLES AND STANDS

Different stands for all kinds of equipment, hand-wash basins and bakery or food processing tables with cutting boards

SERVING LINE EQUIPMENT

Various types of heating and cooling drop-in units, dispensers and shelving together with robust and elegant buffets and counters